

## K4 ON/OFF CONTROL FOR USE WITH AMEREC AK STEAM GENERATORS

### SAVE THIS MANUAL

FOR THE SAFETY OF YOU AND YOUR FAMILY PLEASE READ THE WARNINGS TO THE RIGHT AND ALL INSTRUCTIONS BEFORE USING YOUR STEAMBATH.

POST SAFETY "WARNINGS" LABEL OUTSIDE STEAMBATH THIS IS A REQUIRED POSTING ON DOOR OF STEAM ROOM OR ADJACENT TO DOOR FOR ALL COMMERCIAL INSTALLATIONS.

Thank you for purchasing your new AMEREC steam generator. If we can be of any assistance do not hesitate to call our Service Department at 1-800-363-0251 or 1-320-286-3500.

### SECTION 1: OPERATION OF YOUR K4 AND AMEREC GENERATOR

The K4 control does not provide automatic temperature control. Use the on/off button to control the temperature as desired by turning the steam bath on and off as needed.

Note: the K4 may be used as an extra switch when a temperature regulating K2, K3 and/or KT3 control is installed. Contact Technical support for further information.

1. Ensure that both the power circuit and water supply to the generator are ON.
2. To activate the steam, press the K4 control's On/Off switch. In 10 to 20 minutes the room should be comfortable enough to begin taking a steam bath. The unit will turn off automatically in 30 minutes.
3. Remove clothing and jewelry.
4. Enter the steam room and close the door to prevent steam from escaping.
5. Relax and enjoy the warm steam releasing tense muscles and refreshing the entire body. The average time spent taking a steam bath is approximately 10 minutes
6. Pressing the control while the steam generator is operating will shut it off.
7. If your steam room has a shower, a pleasant experience can be achieved by taking a warm shower while in the steam. You will find the contrast from water to steam quite invigorating.

### WARNING

Electrical grounding is required on all Steam Generators.

All electrical supplies should be disconnected when servicing a Steam Generator.

All wiring must be installed by a licensed electrical contractor in accordance with local and national codes.

All plumbing must be installed by a licensed plumber in accordance with all applicable local and national codes.

Steamers are for indoor use only.

Steamers are not for space-heating purposes.

Be certain that steam bath enclosures are properly sealed to avoid water damage from escaping steam. It is recommended that 100% silicone caulk be used to seal all pipes and fittings. Steam must be prevented from escaping into the wall cavity.

Never shut off the water to an appliance that is in use.

Electric Shock Hazard  
High Voltage exists within this equipment.

There are no user serviceable parts in this equipment.

### WARNING

#### REDUCE THE RISK OF OVERHEATING AND SCALDING

1. Exit immediately if uncomfortable, dizzy or sleepy. Staying too long in a heated area is capable of causing overheating.
  2. Supervise children at all times.
  3. Check with a doctor before use if pregnant, diabetic, in poor health or under medical care.
  4. Breathing heated air in conjunction with consumption of alcohol, drugs or medication is capable of causing unconsciousness.
- CAUTION!** Do not contact steam head. Stay at least 12" away from hot steam escaping from the steam outlet.

#### REDUCE THE RISK OF SLIPPING AND FALL INJURY

Use care when entering or exiting the steam room, floor may be slippery.

NOTE: For additional safety instructions, see owner's manual.



**IMPORTANT SAFETY INSTRUCTIONS****1. READ AND FOLLOW ALL INSTRUCTIONS.**

2. **WARNING** - To reduce the risk of injury, do not permit children to use this product unless they are closely supervised at all times.
3. **WARNING** - To reduce the risk of injury:
  - a. The wet surfaces of steam enclosures may be slippery. Use care when entering or leaving.
  - b. The steam head is hot. Do not touch the steam head and avoid the steam near the steam head.
  - c. Prolonged use of the steam system can raise excessively the internal human body temperature and impair the body's ability to regulate its internal temperature (hyperthermia). Limit your use of steam to 10 - 15 minutes until you are certain of your body's reaction.
  - d. Excessive temperatures have a high potential for causing fetal damage during the early months of pregnancy. Pregnant or possibly pregnant women should consult a physician regarding correct exposure.
  - e. Obese persons and persons with a history of heart disease, low or high blood pressure, circulatory system problems, or diabetes should consult a physician before using a steambath.
  - f. Persons using medication should consult a physician before using a steambath since some medication may induce drowsiness while other medications may affect heart rate, blood pressure and circulation.
4. **WARNING** - Hyperthermia occurs when the internal temperature of the body reaches a level several degrees above the normal body temperature of 98.6 °F (37°C). The symptoms of hyperthermia include an increase in the internal temperature of the body, dizziness, lethargy, drowsiness and fainting. The effect of hyperthermia include:
  - a. Failure to perceive heat:
  - b. Failure to recognize the need to exit the steambath:
  - c. Unawareness of impending risk:
  - d. Fetal damage in pregnant women:
  - e. Physical inability to exit the steambath: and
  - f. Unconsciousness.

**WARNING** - The use of alcohol, drugs or medication can greatly increase the risk of hyperthermia.

**SAVE THESE INSTRUCTIONS**

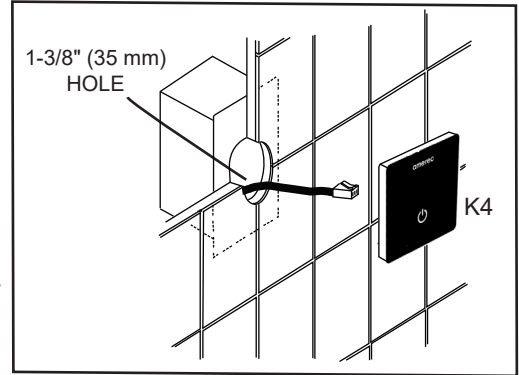
**SECTION 2: INSTALLATION OF THE K4: 2017 and later AK Generators**

1 K4 ROUGH-IN The low voltage control can be mounted up to 25ft (7,6 m) from the steam generator and it may be mounted either inside or outside the steam room. String the 25ft (7,6 m) cable from the control location through 1/2" (13mm) holes in the wall studs or ceiling joists to the generator. Note: Do not staple through or otherwise damage cable. Use factory supplied cables only.

Optional for tile rooms: a rough-in box may be installed at the desired control mounting location. A mounting plate with proper diameter hole and instructions is available. The plate mounts to a single switch/outlet box and the tiles should be finished over the plate and up to the hole edges to leave the control's mounting hole clear.

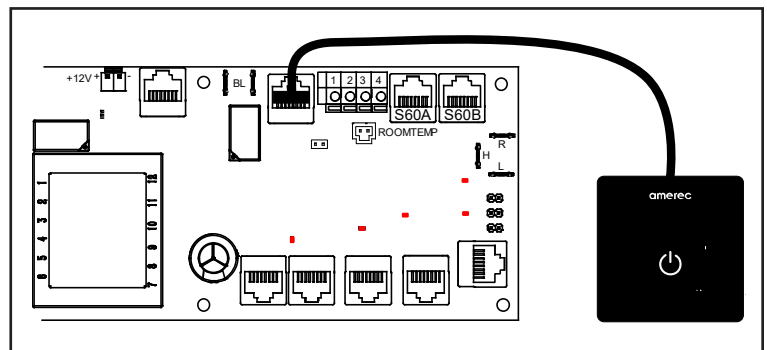
3 INSTALL K4 CONTROL The low voltage K4 control can be mounted directly to a finished wall either inside or outside the steam room. See Rough-In above. The control cable should already be roughed-in to this location.

Use a 1-3/8" (35 mm) hole saw, to drill a hole in the finished wall where the control is to be mounted (the control cable should already be roughed-in to this location). Plug the cable end into the jack in the back of the control. Run a bead of 100% silicone caulk around the tube on the back of the control. Make sure to fill any grout lines and make sure the silicone is far enough from the edges to remain hidden after mounting to the wall.



Make sure the cable is firmly connected to the control then insert the control's tube into the mounting hole and firmly press the control against the wall. Level the control and tape it in place (painter's tape generally works well), then leave until the silicone is cured. Route the generator end of the control cable through a knockout in the end of the generator and secure it using the strain relief provided. Plug the control cable into its socket on the steam generator's circuit board (See figures below).

Note: you may use a K4 by itself or as a second control with K2 or K3 controls.

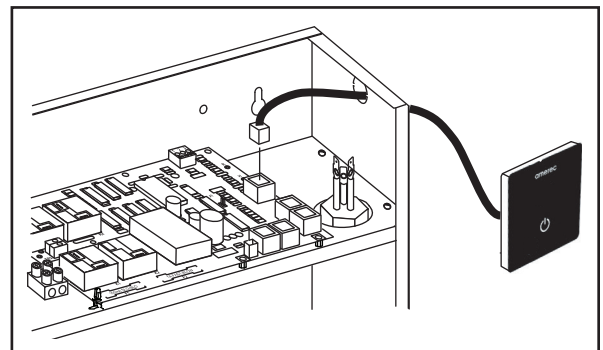


**SECTION 2: INSTALLATION OF THE K4: AK & 3K Generators Built Before March, 2017**

New model AK generators have their circuit boards mounted on the back panel of the generators. Earlier AK and 3K generators have their circuit boards mounted on the generator's shelf. All operations of older and new generators and the K4 and the R30K it replaces are otherwise identical.

The K4 replaces the R30K used in older steamers. When replacing the R30K, simply remove the R30K, clean any silicone from the mounting area, plug the cable into the K4, add silicone to around the tube on the back of the K4, then mount the K4 in the R30K's mounting hole. Carefully center the K4 over the old hole so it covers and seals around the edges and hold it in place while the silicone cures. Make sure there is enough silicone to seal the old hole.

For fresh installation in an older steam generator, install the K4 same as in steps 1 to 3 in the new AK Instructions above. Route the K4 control's cable to the steamer's circuit board and plug it in to the S30B jack (near center on the right end of the circuit board).



**SECTION 3: MAINTENANCE OF THE AK SERIES**

The steam generator, steam head, fittings and plumbing connections should be inspected at least annually for water leaks and damage.

The AK steam generator is supplied with a drain valve for flushing sediments from the generator tank. This procedure should be scheduled monthly or more often depending on local water conditions and steam bath usage.

**FLUSHING PROCEDURE**

1. The generator should be cool.
2. Turn control on.
3. Open the drain valve.
4. The unit will drain without heating the water.
5. Allow the water to run 10 minutes.
6. Close the drain valve

**SECTION 3: TROUBLESHOOTING GUIDE**

The Troubleshooting Guide below is meant as a general aid only. There are no user serviceable parts in the generator. All repairs should be performed by a qualified service person. For additional assistance or to find the factory authorized service person nearest you, call Technical Support.

<b>SYMPTOMS</b>	<b>PROBABLE CAUSES</b>	<b>ACTION TO BE TAKEN</b>
Control "ON" (Control Lighted) No Steam	No water to generator or Control circuit is faulty or Generator is faulty	1. Wait at least 10 minutes after turning on control and generator 2. Verify that the water is on 3. Verify that the generator's drain valve is closed 4. If the above steps do not disclose the problem, turn off the generator's circuit breaker and contact Support
Control "OFF" (Control light "OFF" Unit makes steam	Control circuit faulty or Generator is faulty	1. Turn off the generator's circuit breaker and contact Support
Water runs out steam head	Generator is faulty	1. Turn off the water to the generator's and the generator's circuit breaker and contact Support



Technical Support  
 575 Cokato St E  
 Cokato, MN 55321  
 Phone 320-286-3500  
 1-800-363-0251

email: [support@amerec.com](mailto:support@amerec.com)