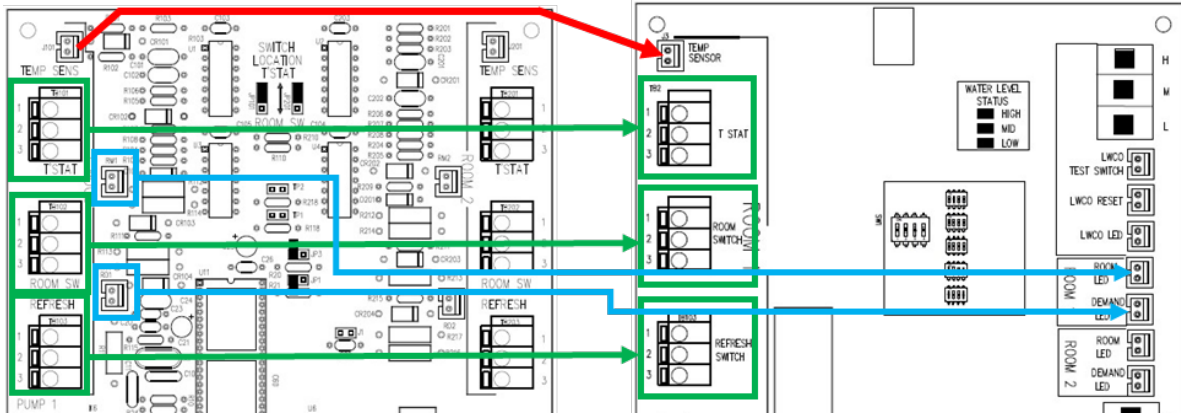
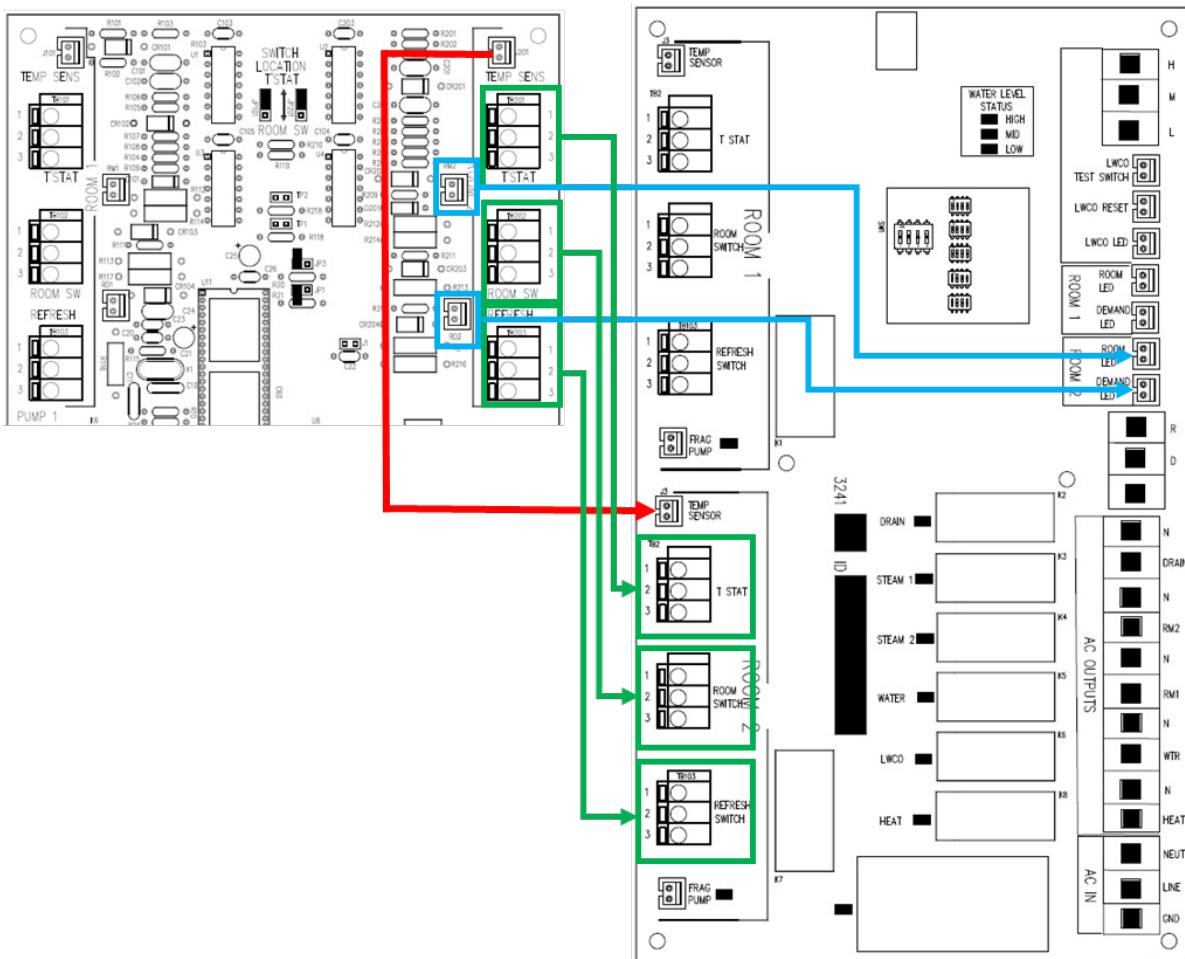


Replacing the AI Boiler circuit board: The latest boiler board has a new layout compared to older boards. Use these instructions when replacing older version circuit boards (pn 3241-01x to -04x) with the newer version (pn 3241-053).

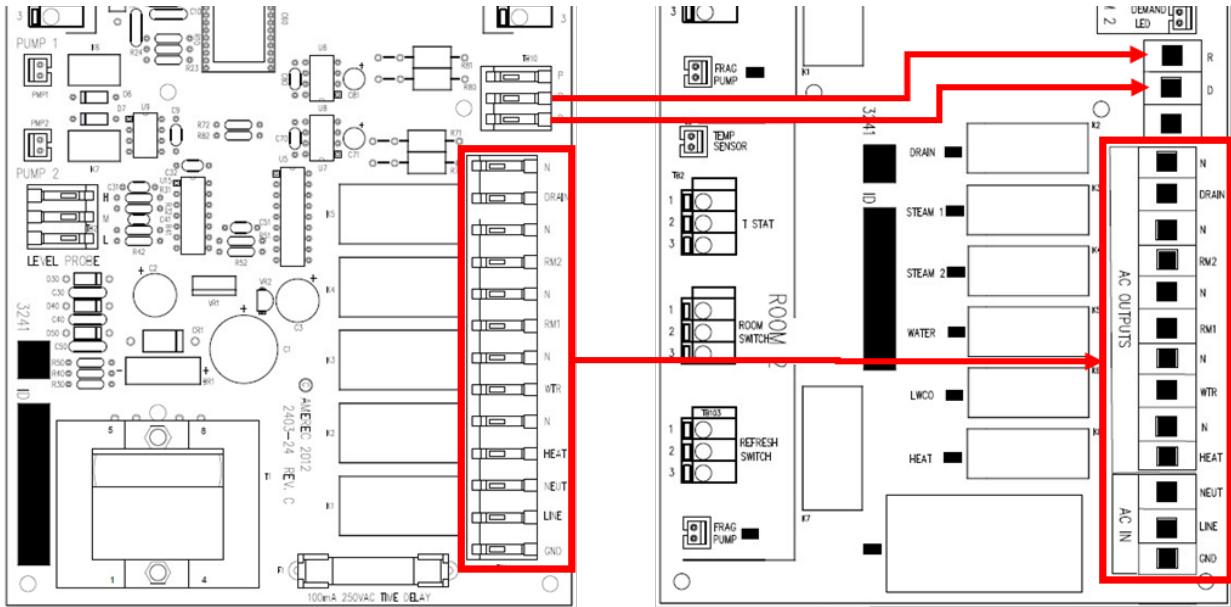
Move Room 1 control wires, room temperature sensor cable and room status LED cables as shown:



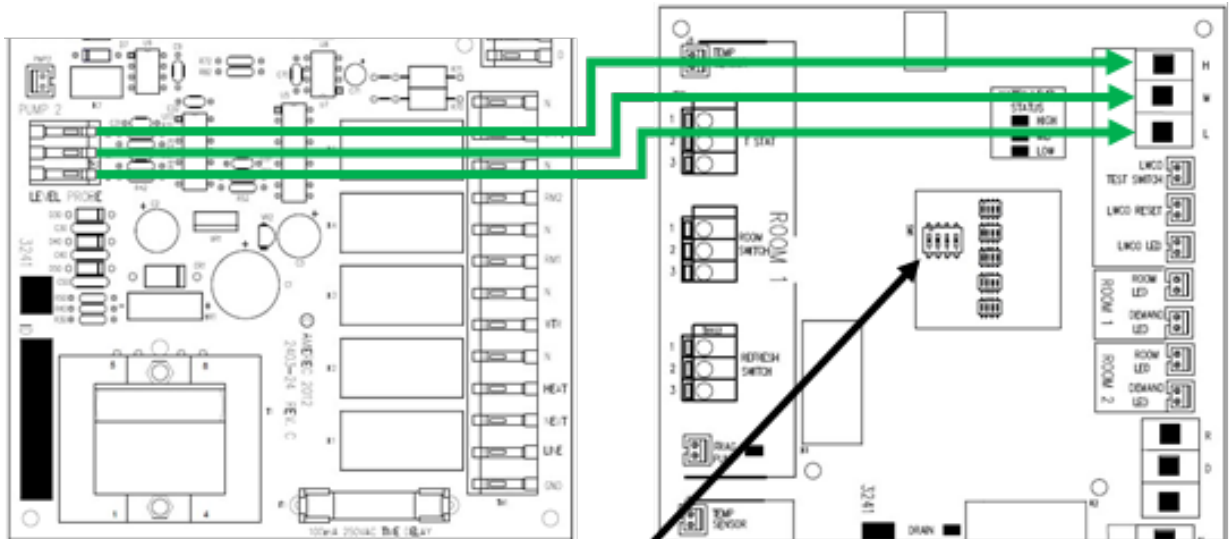
Move **Room 2** control wires and room temperature sensor cable if installed. Move room status LED cables as shown:



Move power wires:



Move Level Probe Wires:



Set switches based on type of control installed

