



# Installation, Operation & Maintenance Manual for Amerec Water Filtration System Model: ASX200

## **NOTICE TO INSTALLER:**

**DO NOT DISCARD THIS MANUAL AFTER INSTALLATION.** THIS MANUAL CONTAINS IMPORTANT OPERATION, MAINTENANCE AND PRECAUTIONARY INFORMATION. PLEASE PRESENT THIS MANUAL TO USER/OPERATOR/OWNER AFTER INSTALLATION.

IT IS STRONGLY ENCOURAGED THAT YOU READ THIS MANUAL BEFORE INSTALLING SYSTEM TO ENSURE THE BEST POSSIBLE INSTALLATION.

INSTALLATION MUST CONFORM TO ALL LOCAL AND STATE PLUMBING CODES AND REGULATIONS.

CONNECT SYSTEM TO COLD WATER SUPPLY ONLY. WATER TEMP. CAN NOT EXCEED 100°F/28°C.

**SYSTEM MUST BE INSTALLED IN A VERTICAL AND UPRIGHT POSITION.**

**ASX200 SYSTEMS MUST NOT BE USED IN CONJUNCTION WITH POLYPHOSPHATE OR ANY OTHER SCALE INHIBITOR.**

DO NOT USE WITH WATER THAT IS MICROBIOLOGICALLY UNSAFE OR OF UNKNOWN QUALITY WITHOUT ADEQUATE DISINFECTION BEFORE OR AFTER THE SYSTEM.

## **NOTICE TO USER/OPERATOR/OWNER:**

**PLEASE COMPLETE THE PRODUCT REGISTRATION CARD** AND MAIL OR FAX TO MANUFACTURER. PLEASE RETAIN THIS MANUAL FOR FUTURE REFERENCE FOR PARTS, MAINTENANCE OR TROUBLE-SHOOTING.

IT IS RECOMMENDED THAT ALL PERSONNEL RESPONSIBLE FOR OPERATION AND MAINTENANCE OF THIS PRODUCT READ THE PRECAUTIONS, OPERATION AND MAINTENANCE SECTIONS OF THIS MANUAL.

## **Introduction**

Your new Amerec ASX200 Water Filtration System will cleanse and condition the tap water providing optimum water characteristics for their specified applications. The result is reduced equipment maintenance requirements, longer equipment life and improved quality & consistency of your products. Proper system installation and routine filter changes will ensure years of trouble-free operation and performance.

The ASX200 System is built with the finest and most advanced materials and each system is quality inspected and pressure tested prior to shipment. With proper installation and routine maintenance, you will have years of trouble-free operation.

Please refer to this manual when performing routine filter changes. The instructions make periodic maintenance quick and easy, and ensure you will receive maximum benefit from your system.

## **System Specifications**

Maximum Pressure: 125 psi/8.6 bar      Maximum Temperature: 100°F/38°C, Min.: 35°F/2°C      Maximum pH: 8.5

Inlet/Outlet Connections: 1/2" fnt      Service Flow Rate:      0.75-2 gpm Continuous, 3 gpm Peak

Gallon Rating:      ASX200: 30,000 gals./113,560 liters for the ASX200#1, 1 year for the ASX200#2

Capacity: Change the ASX200#1 cartridge at gallon rating or at least every 6 months or when water flow is reduced under normal operating conditions. The ASX200#2 cartridge does not have a grain removal capacity, however, naturally occurring organics present in the water will gradually degrade the effectiveness of this cartridge. Change the ASX200#2 cartridge at least once a year.

## Installation Precautions

- Do NOT install system on line pressure above 125 psi.
- Do NOT install system on HOT water line. Failure to limit line temperature to 100°F may result in housing failure and damage.
- Do NOT install the system backwards with the feed water line connected to the outlet.
- Do NOT use liquid pipe compounds for fitting connections. USE two to three wraps of teflon tape.
- Do NOT solder plumbing connections attached to filter housing or inlet valve. Inlet valve and filter housing will be damaged by high temperature.
- Do NOT allow system to freeze. Turn off water supply to housing and drain housing if temperature falls below 32°F.
- Do NOT install system in direct sunlight or where system is exposed to harsh chemicals or may be subjected to being struck by moving equipment, carts, mops or any other item that may cause damage.
- ALLOW a minimum of 6" under the housing to allow for filter replacement.
- IF water hammer is evident, install water hammer arrestors before ASX200 System.
- Do NOT overtighten fitting connections into inlet valve or housing outlet.
- Always back-up valves and fittings with a wrench when installing a fitting to avoid turning the valve.
- Do NOT install the unit behind equipment where it may be difficult to access the system for filter replacement.

Position the ASX200 unit in a suitable location. The direction of flow through the ASX200 unit is always left to right; keep this in mind when determining installation location. Do NOT mount the ASX200 system near any source of heat. Also, do not mount the system above any device or area that would be adversely affected by water.

## Installation Procedure (See Installation Drawings for Detail)

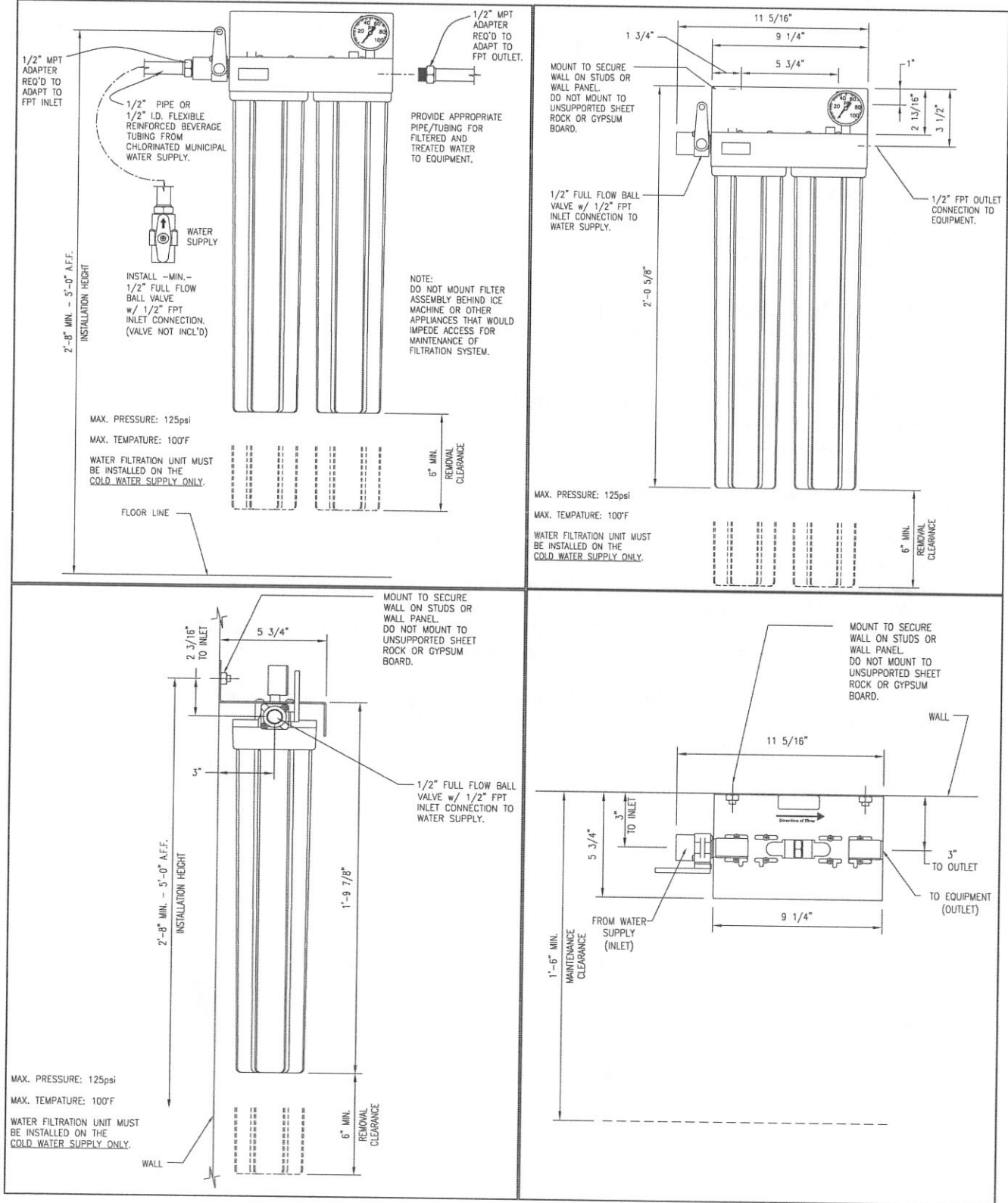
1. Turn off all equipment to be fed by the ASX200 System, locate water supply cut-off valve and turn off.
2. Determine if water line has an existing water treatment system. Is so, examine system for use of polyphosphate or other scale inhibitors. ASX200 will not be effective if used in conjunction with other scale inhibitors. Remove the scale inhibitors from the water line or discontinue installation.
3. Install a 1/2" full-flow ball valve on the water supply side that will feed the water system.
4. Anchor the ASX200 System on a wall stud or suitable mounting material spanning wall studs. **System must be vertical and upright.**
5. Run a suitable line from the 1/2" full-flow ball valve at the tap water source to the inlet ball valve on the left side of the ASX200 system. Use 2-3 wraps of teflon tape and brace the inlet ball valve on the system with a wrench when connecting the feed water line. **NOTE: DO NOT OVERTIGHTEN CONNECTION FITTING INTO BALL VALVE.**
6. Select the appropriate size tubing for the equipment being fed and connect it to the outlet of the ASX200 System. **NOTE: DO NOT connect the tubing to the equipment at this time. Prior to making connection to the equipment this line will be used to facilitate flushing the system. As an option, a drain valve in a tee on the outlet side of the ASX200 system could be provided in the line to facilitate flushing when changing filters.**
7. With System inlet valve closed, slowly open the 1/2" full-flow ball valve at the tap water source. Check for leaks.
8. If a drain valve was not installed on the outlet side of the system, hold the tubing that will connect to equipment in a clean bucket or over sink or drain. Open the system inlet feed valve and allow water to flush through system for 5 minutes at the specified system flow rate to allow air and any carbon fines to escape. **NOTE: NO ACTIVATION IS REQUIRED FOR THE Amerrec SYSTEM TO PERFORM PROPERLY. FLUSHING IS RECOMMENDED TO ALLOW AIR TO ESCAPE THE SYSTEM AND REMOVE ANY CARBON FINES PRIOR TO CONNECTING TO EQUIPMENT.**
9. Make certain that the end of the tubing to be connected to the equipment is clean and sanitary.



Installation Procedure - Continued

10. Connect tubing to equipment. Open all water supply valves and check for leaks.
11. If no leaks turn on equipment and check for normal operation.

Installation Drawings & Dimensions



## Operation

With adequate pressure, normal operation of the ASX200 System is completely automatic. Dependable operation involves only monitoring of outlet pressure, periodic filter changes and service documentation.

## Maintenance

The only routine maintenance your ASX200 System should ever require is periodic filter cartridge changes or replacement sump O-rings. Filter changes are necessary for optimum performance of your equipment. If the system sizing recommendations have been followed the ASX200 System is designed to provide a six (6) month filter replacement interval on most tap water for the ASX200#1 cartridge and the ASX200#2 Cartridge should last one (1) year..

### *Filter Change Frequency*

Several situations will mandate filter changes. Complete filter sets should be changed when any of the following apply:

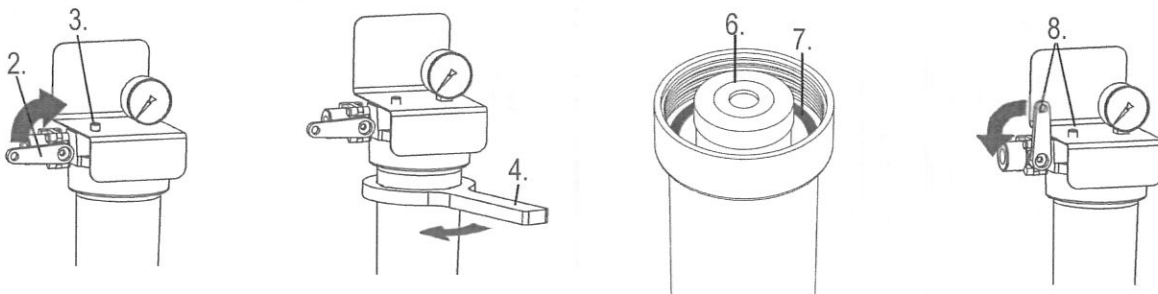
- Six (6) to twelve (12) Months have passed since unit installation or previous filter change.
- Reduced water flow.

If filter change frequency is less than 6 months due to reduced water flow, it may be necessary to add additional pre-filtration or evaluate system sizing recommendations.

## Filter Cartridge Replacement Procedure

**IMPORTANT:** Determine whether all equipment connected to the ASX200 System must be turned off prior to shutting off water supply from filters.

1. If required, turn off equipment.
2. Turn OFF water to ASX200 System by closing Inlet Ball Valve.
3. Press the red button to release pressure.
4. Remove housing(s) - use filter wrench if necessary.
5. Clean inside of housing sumps with warm water. If desired, disinfect housings using a teaspoon of household bleach in a filter bowl of water. Let stand 5 minutes, and then discard.
6. Insert new cartridges into filter housings. Match cartridge model numbers to model numbers on bracket.
7. Make certain the O-ring is properly positioned and reinstall filter housings (hand tighten only). Check O-ring for damage and replace if damaged or distorted.
8. Slightly open the inlet ball valve; push the red pressure relief button to release trapped air until a small amount of water comes out - release the red button and fully open the ball valve.
9. Open the flush valve downline from the filter housing (if equipped) and flush the new cartridges to drain or bucket for five (5) minutes or until water runs clear. If no flush valve is present, disconnect line from equipment to flush to drain.
10. **VERY IMPORTANT:** With water supply inlet valve OPEN and water flow confirmed, turn on connected equipment. Failure to supply water to equipment may cause serious damage.
11. Record filter change on the service log.

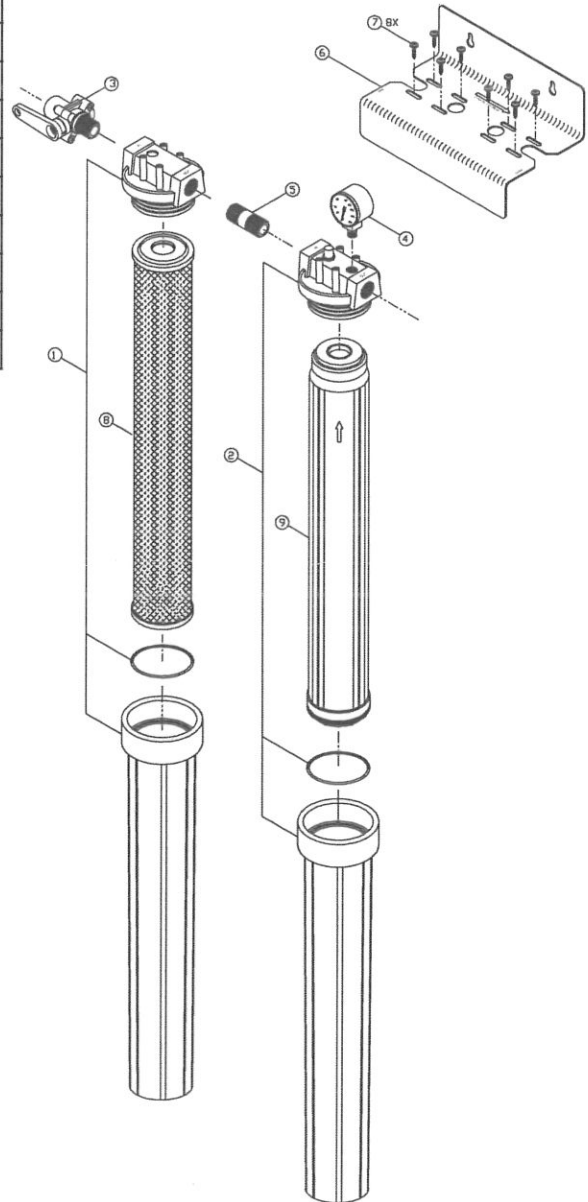


### Replacement Filter Cartridges

Amerrec Filter Systems are designed, tested, and certified with FilterXpress filter cartridges with proven performance, size and operating capacities. Use of replacement cartridges other than those specified will void warranties, certifications and may compromise equipment protection, water quality and cartridge life.

Replacement Parts for: ASX200

Drawing ID #	Part #	Description
1		Housing
2		Housing, w/Gauge Port & PR
1/2a		O-Ring - 6 pak
1/2b		Sump Only
3		Valve, Inlet Ball 1/2"
4		Gauge, Pressure 0-160 psi
5		Nipple
6		Bracket, Twin SS
7		Screw #10
8	9209-051	ASX200#1 Replacement Cartridge
9	9209-051	ASX200#2 ASX200 Cartridge
		Wrench, Housing
		Pressure Relief Button Kit



Questions, Problems or Assistance?  
Call, email or write to:

**amerec**  
your moment

P.O. Box 2259 Woodinville, WA 98072  
800-363-0251