

STEAM GENERATOR DRIP PAN

FOR USE WITH AK STEAM GENERATORS
SPECIFICATION SHEET

MODEL: ADP GENERATOR DRIP PAN

Features

- Stainless Steel construction with welded corners.
- Stainless Steel supports to hold generator up off the bottom of the pan.
- 3/4" NPT threaded stainless steel metal drain fitting.

Installation

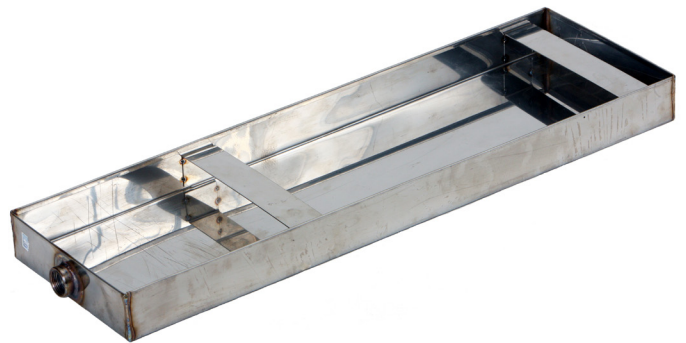
- Place drip pan on a flat surface suitable for the steam generator.
- Connect 3/4" outlet fitting in pan and connect to a plumbing system drain line per local code.
- Do not drain water from generator drain valve directly into drip pan.

Item Number:

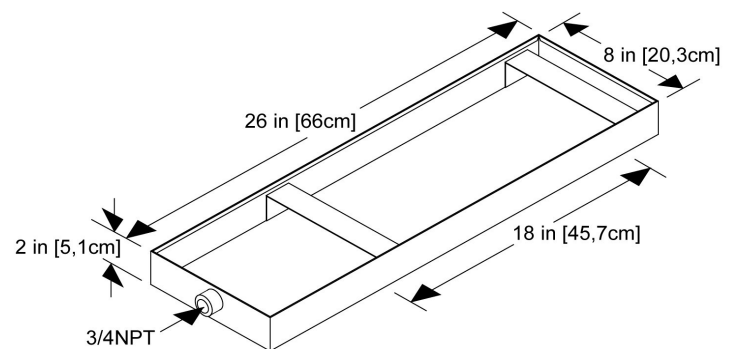
9210-110 ADP Generator Drip Pan



Installation View



ADP Generator Drip Pan



Not intended for use as installation instructions.
Refer to specific generator model installation
instructions for further detail.

AMEREC
575 Cokato Street E. | Cokato, MN 55321
Toll-Free 1-800-331-0349
amerec@amerec.com | www.amerec.com

Amerec reserves the right to change specifications and design without notice.
© 2022 Amerec Steam

amerec[®]
STEAM. SAUNA. SOLUTIONS.