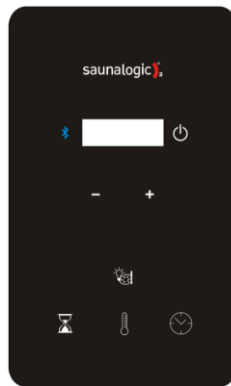


# RGBW Lighting for SL2 and SL2-C Control Systems

saunalogic<sup>®</sup><sub>2</sub>



# SAUNA360



## ATTENTION!

*This manual covers the basic steps necessary to install RGBW lighting packages that have been specifically designed to work with your SL-2 or SL-2C Control System. Do not connect any other types or brands of LED lighting to the SL-2 Control System.*

*These lighting kits are available exclusively through your Sauna360 family of retail dealers: Finnleo, Helo or Amerrec Sauna Retailers.*

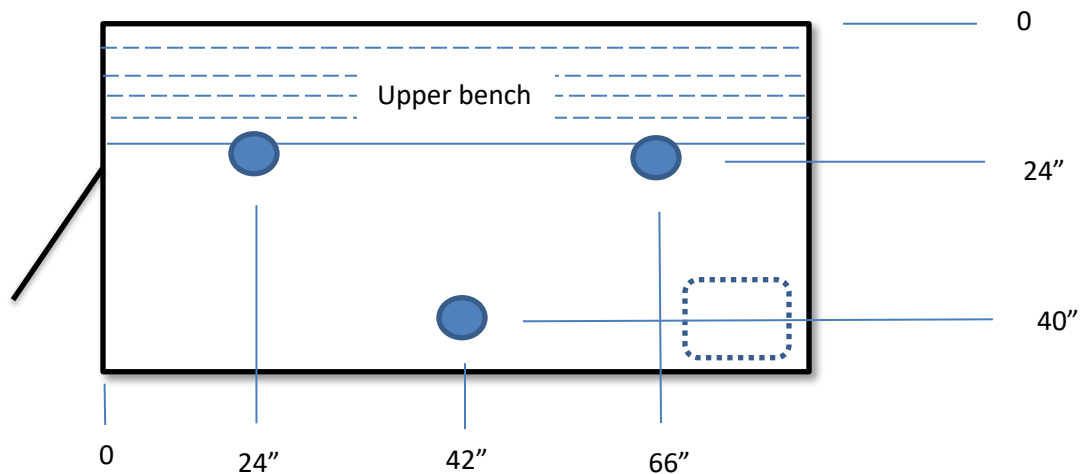
- ⚠ Do not install any lighting directly above a sauna heater. Doing so will void your lighting warranty.*
- ⚠ LED lights are water resistant (IP56) but not waterproof!*
- ⚠ These lights can be used both inside and outside of the sauna.*
- ⚠ In most cases, less is more! A sauna is meant to be a quiet and calm retreat from day to day stress. A dimly lit sauna will often create a better atmosphere than one with many bright lights.*
- ⚠ As a rule of thumb, 3 ceiling lights will be enough for most saunas while backrest or valance lighting have been the most popular options for non-ceiling lighting.*
- ⚠ Do not attempt to connect 120v lighting to the SL2 lighting circuit!*

## RGBW Ceiling Lights for SL-2

The base ceiling light kit (3162-147) comes with 3 fixtures but is expandable to 8 fixtures by simply adding individual fixture kits. (8801-104)

It is best to install the cabling before the interior tongue and groove ceiling or walls are nailed in place. It is also very important to decide where you want to place the ceiling fixtures in the sauna early in the designing stage. A good rule of thumb is to place them directly above the front edge of the upper bench but there really is no wrong way to place them except directly over or very close to the sauna heater. It's best to keep the lights at least 12" from the area directly above the heater.

Deciding the layout now, before the ceiling T&G is installed will prevent you from accidentally cutting holes directly over a ceiling joist or through utilities such as water, gas or electrical. Creating a simple drawing, like the example shown below of the layout will reduce the chance of any mistakes and gives you the opportunity to try different lay-out options before cutting holes in your beautiful new sauna!



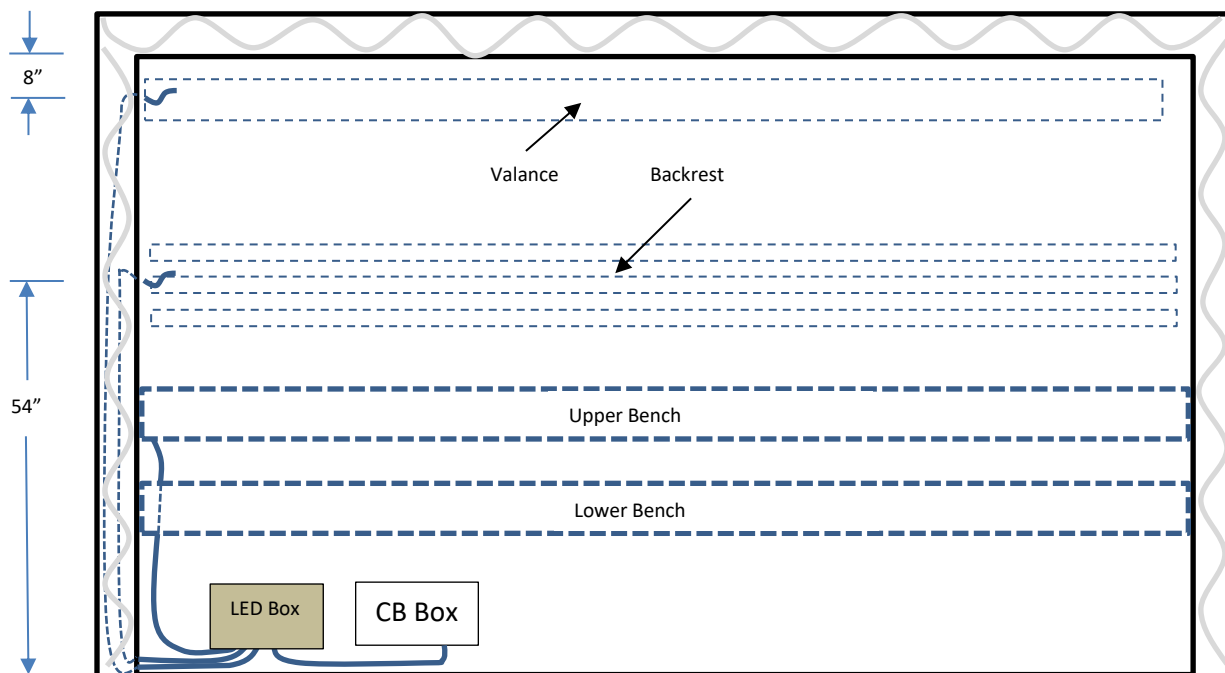
Each ceiling fixture will have a dedicated "home-run" wire back to an 8-port splitter to distribute the power to the fixtures. This splitter will have one extended cable connection back to the main sauna control box (CB Box).

## RGBW Valance, Backrest and Bench Lighting

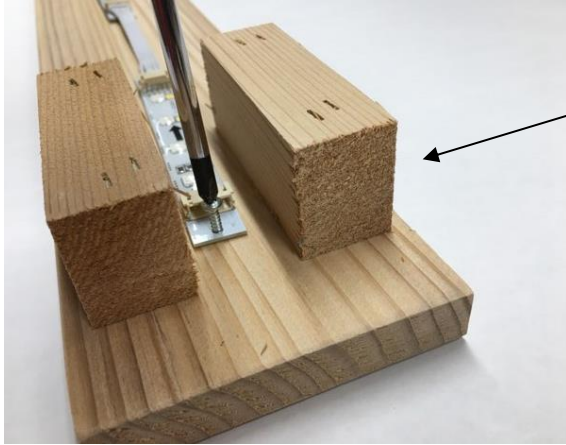
The base strip lighting kit (8801-122) comes with enough components to create 4' lineal feet of lighting but can be expanded to a total of 18 feet of lighting, per \*surface. A total of 96' of lighted surface can be supported with this system when divided into 8 separate surfaces and connected to the 8-port splitter. (LED Box, below)

Just like ceiling lighting, it is very important to plan your strip lighting features prior to building your sauna. If you are installing valance or backrest lighting, you will want to pre-install the power distribution cables before installing the T&G wood paneling. Each "surface" (a surface would be defined as a single backrest, a single valance, etc.) will have a home-run power distribution cable going back to the 8-port splitter to distribute the power to each "surface". Where these cables enter into the sauna walls is very critical to allow you to connect the lights without seeing exposed cables.

As a rule of thumb, backrest lighting cables should be 54" off the floor and tight to the corner of the room and the valance cables should be 8" from the ceiling and tight to the corner of the room. Bench-front lighting can simply be connected via exposed cable under the bench system, directly to the 8-port splitter or CB box. Make sure the flat, 5-pin end of the cable is place where you want to plug into the lighting feature.

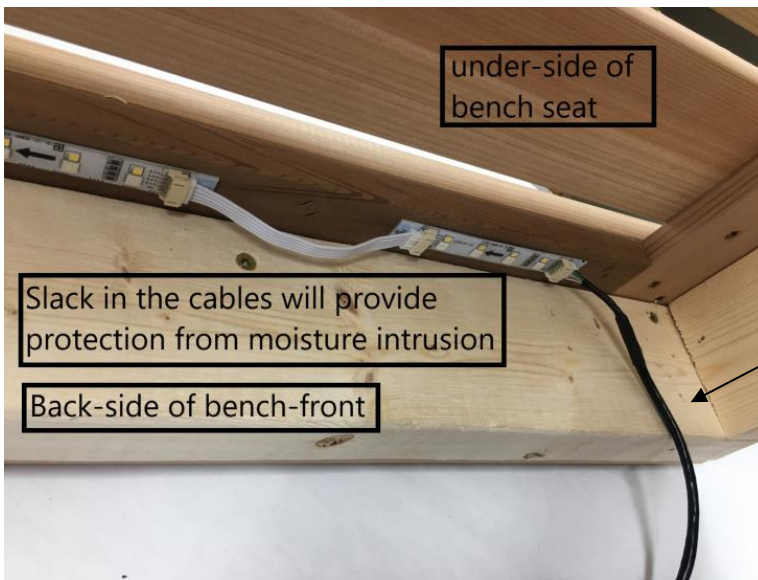


Front View of sauna with front wall removed



Light valance's should be kept about 1 1/2" from the wall surface to provide the best light output. Simple wood stand-offs will create the needed clearance.

Backrest lighting can be placed with the LED's facing up, down or even straight back. They will provide very subtle accent lighting in any sauna.

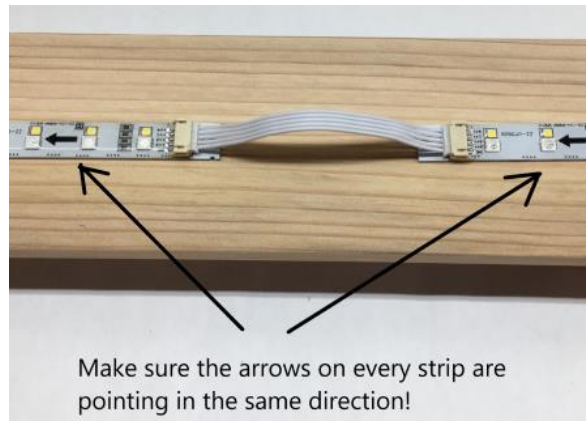


Adding lighting under the front edge of your lower or upper bench adds a dramatic affect! And, it does not require you to pre-install power distribution cables so it can even be added after your sauna is complete!

The power distribution cable can be routed "free-air" under the bench system.

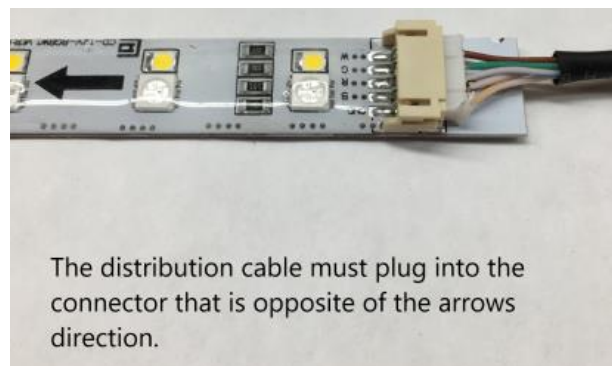
## Important information concerning LED strip alignment and cable connections

The RGBW strip lights are “directional”. This means that although both ends have the same connection, you must connect all of the strips in the same direction. There is a black arrow on each strip and this arrow must always be pointed in the same direction for every strip.



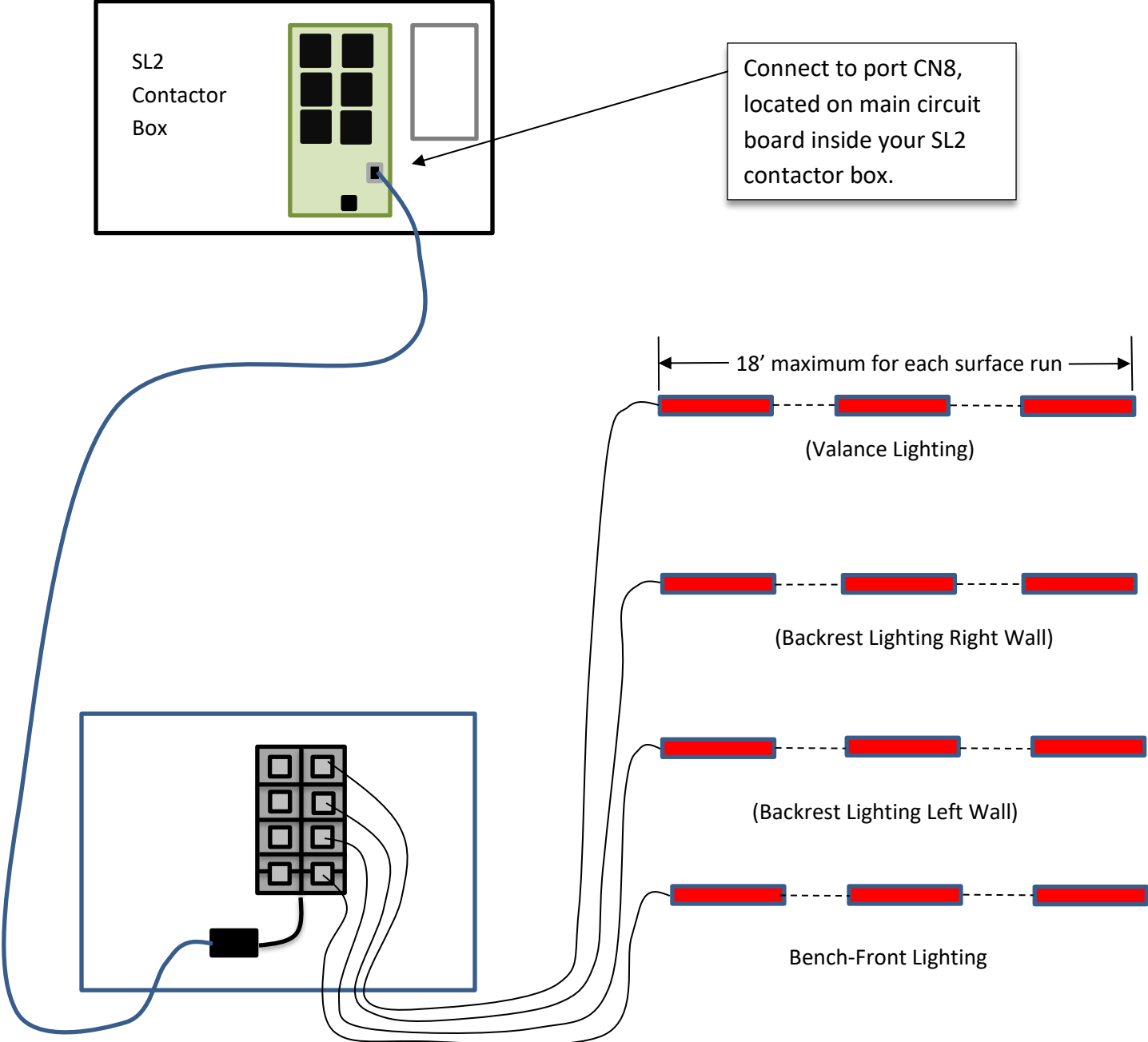
Also, the distribution cable that feeds power to the strips must be connected to the first strip with the arrow pointing AWAY from the distribution cable. A good way to remember this is that the arrows point in the direction that the power flows from the contactor box to the Led strips. **KEEP THIS IN MIND AS YOU PLAN YOUR PRE-WIRING LAY-OUT!!**

Make sure that each cable connector “snaps” into the receiving connector on the LED strips. If it does not lock into place, there is a chance that it could come loose later and cause some lights to fail.



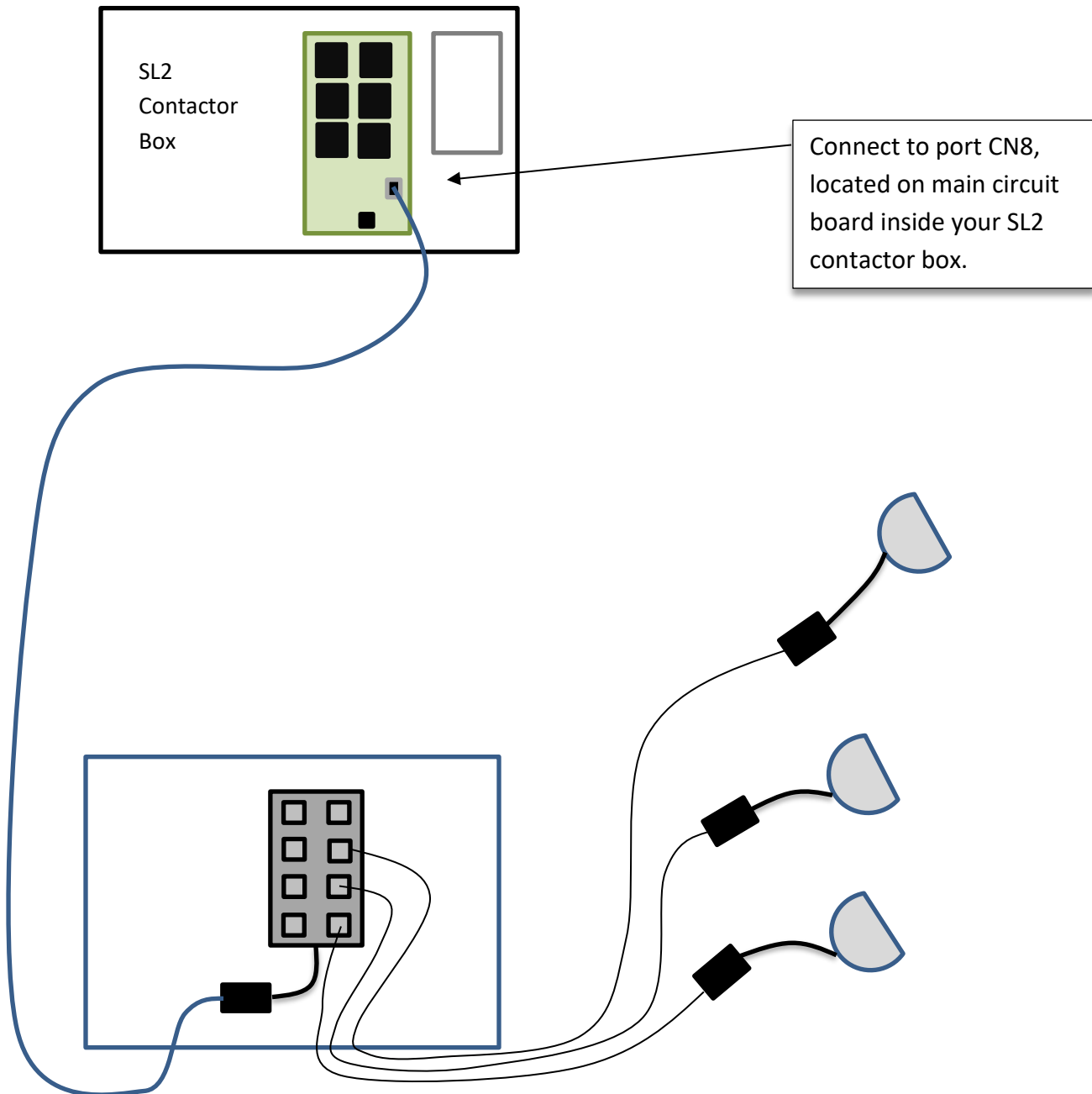
# Quick Installation Diagram SL2 RGBW Strip Light Kit

This diagram shows the basics of assembling an RGBW Strip light kit for SL2 control systems. The basic kit comes with 8 LED strips, enough to do 4' of lighting when spaced 2-strips to a foot. A single surface run should not exceed 18' with a maximum total length of all runs not to exceed 48 feet.



## Quick Installation Diagram SL2 RGBW Ceiling Light Kit

This diagram shows the basics of assembling an RGBW ceiling light system on an SL2 control platform. The basic kit includes 3 RGBW lights with fixtures but you can expand to 8 RGBW lights using the 8-port splitter included in the kit.

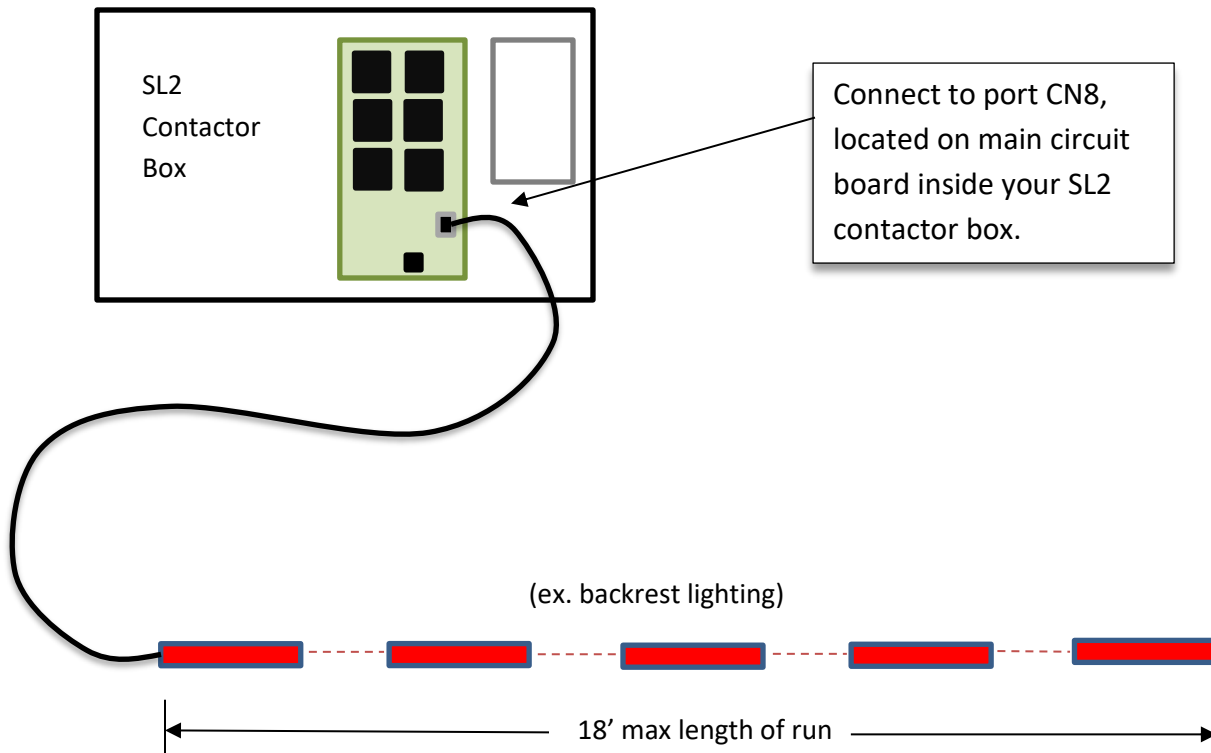


A total of 8 pucks can be connected to a single 8-port splitter or 15 pucks using two splitters.



# Quick Installation Diagram SL2 Color LED Strip Lighting, single surface

This diagram shows the basics of assembling a color strip light system on an SL2 control platform. 18 feet MAXIMUM (36 strips) can be connected in a continuous run (surface). If using an 8-port splitter (PN: 2311-270) you can connect additional surfaces as long as each surface does not exceed 18' and your total lineal feet of lighting is no more than 48 feet.



Length of run is based on 2 LED strips per foot.

## SaunaChrome Lighting Specs

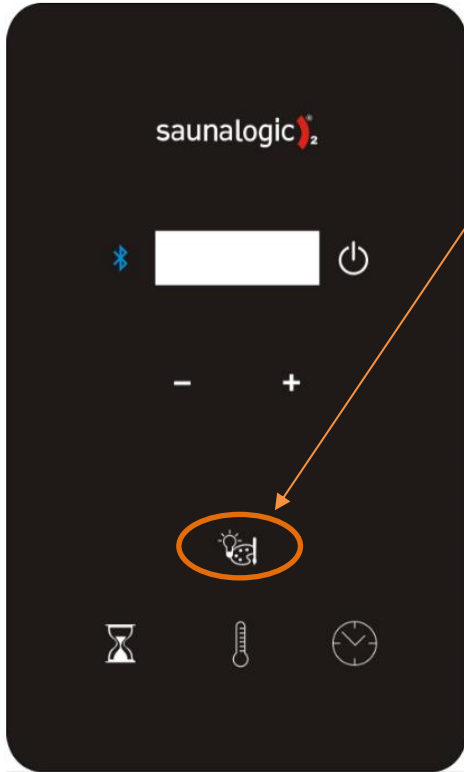
### RGBW LED Lighting Specifications

Light Type	Power	Watts-max	Color Temp	IP Rating	Working Temp
4" Strip**	12vdc	1.44 (Magenta)	3000k (white)	IP56*	-20°C to 80°C
MR16 Bulb	12vdc	1.44 (Magenta)	3000k (white)	IP56*	-20°C to 80°C

#### Special Notes:

- \* IP56: Protected against ingress of dust and powerful jets of water.
- \*\* RGBW LED strips are “uni-directional”, meaning they are polarity sensitive must be connected in a specific direction (indicated on each strip with a large black arrow).

## Control Operation, SL2 Lighting

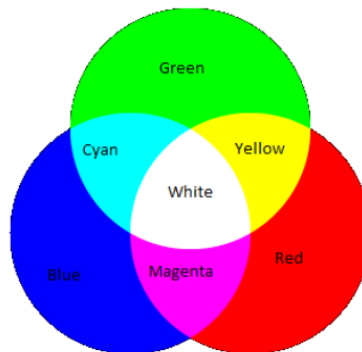


Press the “color pallet” button once to turn the white lights on. Press and hold the same button for 3 seconds to turn off. Or, you can cycle through all 7 colors to turn off.

For 5 seconds after you have selected a color, a value will display in the LED read-out. This value represents the percentage of brightness and can be adjusted by pressing the +/- keys while the value is displayed. The options are 25%, 50%, 75% or 100% brightness.

Color Sequence:

White, Red, Green, Blue, Yellow, Cyan, Magenta



## Troubleshooting

Symptom	Solution
Lights won't turn on	<ul style="list-style-type: none"> <li>• Check for power to the CB box (CB-13, 14, 16 or 17).</li> <li>• Verify that the main RJ45 light distribution cable is plugged into port CN-8</li> <li>• Verify that the color pallet icon glows when touched.</li> <li>• If using the 8-port splitter, make sure all cable connections are secure.</li> </ul>
One light does not work	<ul style="list-style-type: none"> <li>• Check all cable connections for the bad light.</li> <li>• Swap the bad light for a known working light to see if the trouble follows. If yes, then you have a cabling issue.</li> <li>• Check the in-line connectors for secure connection.</li> </ul>
One light has a different color than the others.	<ul style="list-style-type: none"> <li>• Check for a nail or staple that may have damaged one of the CAT-5 distribution cables.</li> <li>• Defective bulb or cable</li> </ul>
Lights do not dim when using App	<ul style="list-style-type: none"> <li>• Dimming function is only available on the physical control.</li> </ul>

*Replacement parts are available exclusively through  
Sauna360 Inc.*

S.S. Fixture with Gasket	8038-72
RGBW MR16 bulb	3160-39
8-port splitter	2311-270
In-line coupler (RJ45-RJ45)	2310-10
16' power distribution cable-CAT5	5304-005
7' power distribution cable-CAT5	5304-002
Add-on ceiling kit (single, complete)	8801-104
Complete 3-puck ceiling kit for SL2	3162-147
RGBW LED strip (4", single)	3160-28
Strip light jumper cable, 4"	5268-007
Strip light jumper cable, 10"	5268-009
RGBW Strip light power distribution cable, 16' (main cable, one surface)	5304-006
LV Junction box w/ 8-port splitter	8840-02

# Warranty

*Sauna360 Inc. will warrant any component of the SL2/SL2-C light system for a period of 1 year from date of purchase when used as instructed in a sauna environment. Any other use may void the warranty. This product is not to be used in a wood-fired sauna!*

Contact Sauna360 Technical Support for warranty or installation assistance. 1-800-363-0251 or [us\\_techsupport@sauna360.com](mailto:us_techsupport@sauna360.com)

Record your date of purchase and product serial number below

Product Serial Number:

Date of Purchase: