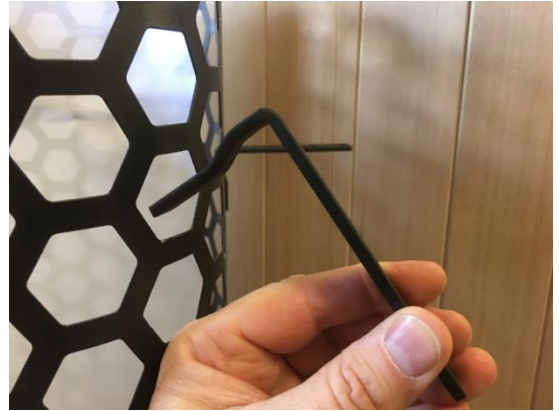


Himalaya Heater Guard Installation

INSTALL BRACKETS AND HEATER GUARD BEFORE ADDING ROCKS TO HEATER!

Step 1.

Insert short end of bracket into 4th hole from the top of the heater shroud as shown at right. (See diagram on next page for desired location of each bracket)



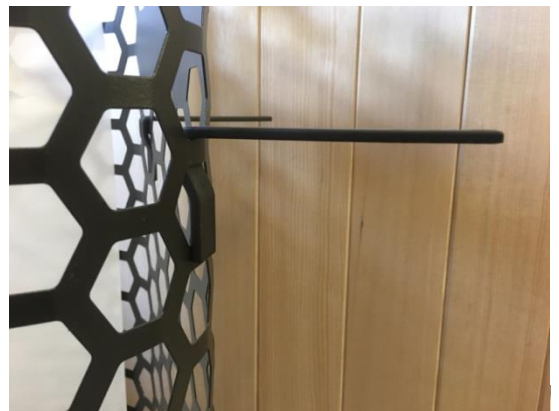
Step 2.

“Weave” the short end through the 4th hole and into the 5th hole (just below the first hole) as shown to the right.



Step 3.

When properly installed, each bracket should sit level with the short end of the bracket locked into position as shown at right. Make sure all brackets are located according to diagram on next page and are located at the same height.

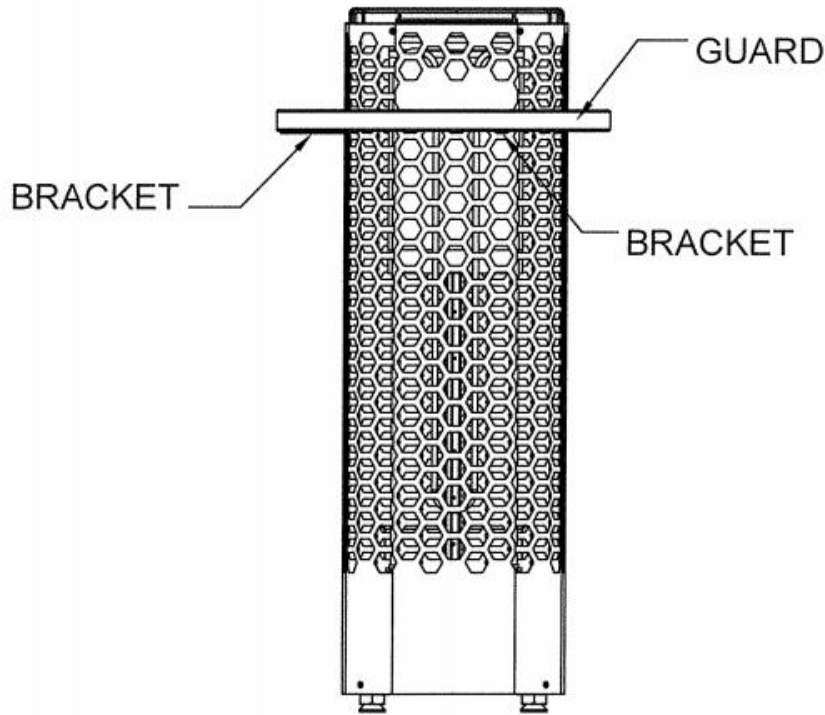
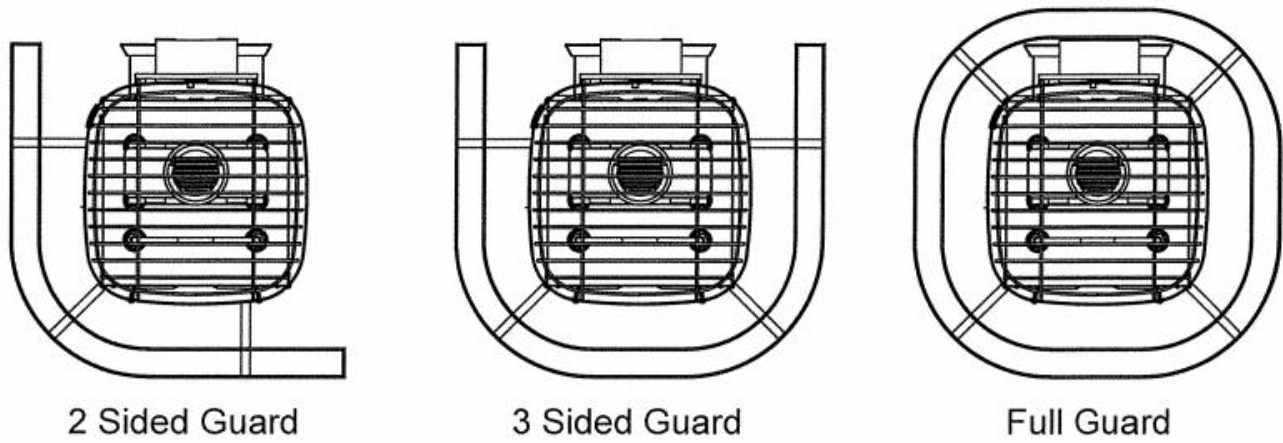


Step 4

Lay wooden heater guard on top of the mounted brackets and align the heater guard so there is an even distance on all sides (approximately 2 1/2” from heater to wood surface). Secure the guard with a single 3/4” wood screw through the bottom of the bracket into the guard.

⚠ To prevent cracking, the screw holes must be pre-drilled with a 1/8” drill bit to a minimum depth of 1/2”.





Note: Recommended height for heater guard brackets is 4 holes from top of heater

Wood guardrail will dry and crack over time. It is normal and not considered a warranty issue.

Replacement Guard	Replacement Part Number
2 Sided Guard	7200-010
3 Sided Guard	7200-011
4 Sided Guard	7200-012

For installation assistance
 Email: techsupport@tyloheloinc.com
 Call (888) 780-4427 or (320) 286-6382 and ask to speak with service.