

# helo

COMMERCIAL

DRAWING #

CC44IS

INVOICE #

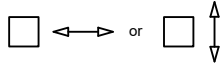
COMPANY:  
JOB NAME:

WOOD TYPE: CEDAR

T&G DIRECTION:

ROOM HEIGHT: 84"

JOIST DIRECTION:



SQ. FOOTAGE: 19

Door Size/Style AG 24X80

Door Jamb Width \_\_\_\_\_

Interior Upgrade NONE

Htr. Size/Model IS202S/Junior 3.0

Control Type SL2

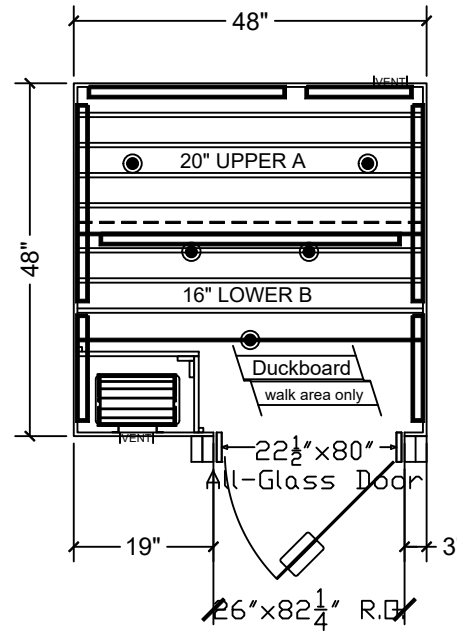
Voltage/Phase 240V/1P

Lighting Option SL2 PUCKS

### Infrared Room Design Statement:

TyloHelo will not guarantee room performance of Infrared room heights over 84" or incorporating One-Tier bench systems. Room Performance will not be deemed a warranty situation when the design fails to follow these guidelines.

Doc.# 271-102 Rev. 2



Customer Approval:  \_\_\_\_\_

\*Dimensions are stud to stud, unless otherwise noted\*

DATE: 2020

*custom cut sauna*