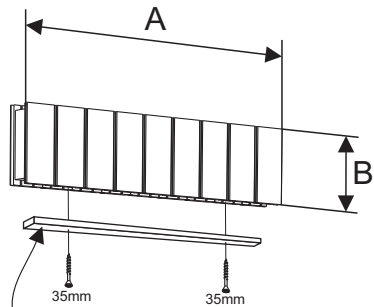


Glass wall 6L/v, 6H/v, 9L/v, 9H/v

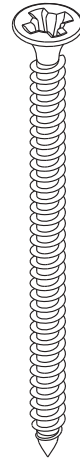
Glasparti 6L/v, 6H/v, 9L/v, 9H/v

Only for glass section mounted in sauna room
Bara för glassektion monterad i basturum



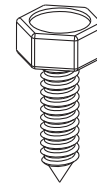
12x45x490mm (6L/v, 6H/v)
12x45x745mm (9L/v, 9H/v)

x16



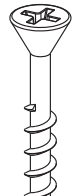
60mm

x4



19mm

x9

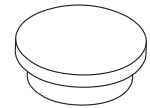


35mm

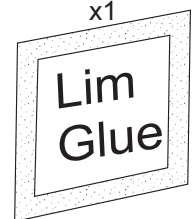
x8



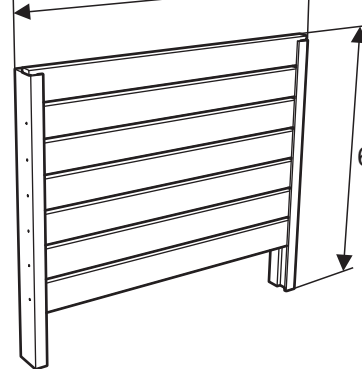
x11



x1

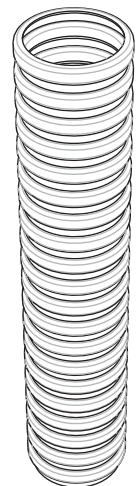


E

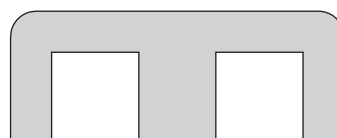
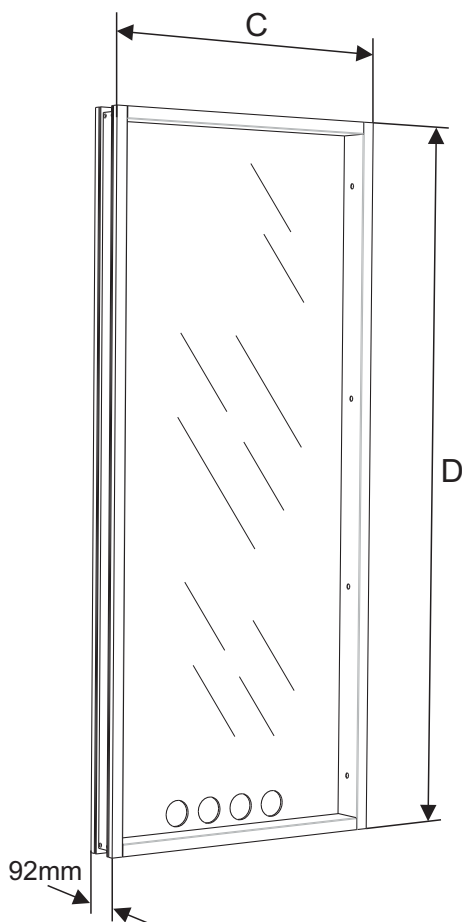


630mm

x5m



Ø 16mm

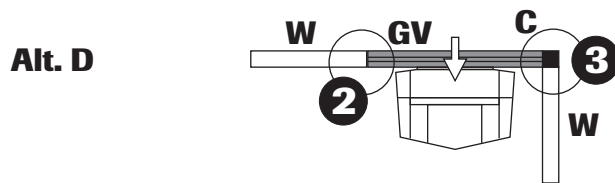
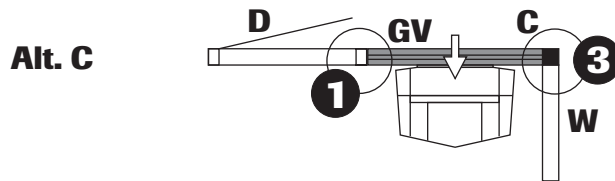
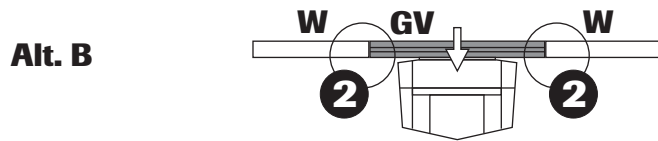
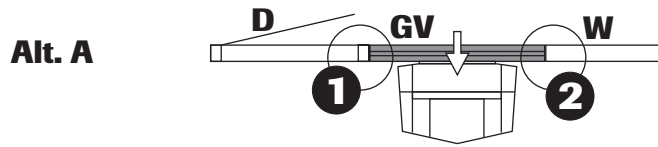
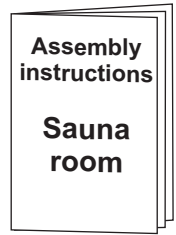


25x65x1964mm

	A(mm)	B(mm)	C(mm)	D(mm)	E(mm)
6L/v	506	189	506	1781	446
6H/v	506	102	506	1866	446
9L/v	762	189	762	1781	702
9H/v	762	102	762	1866	702

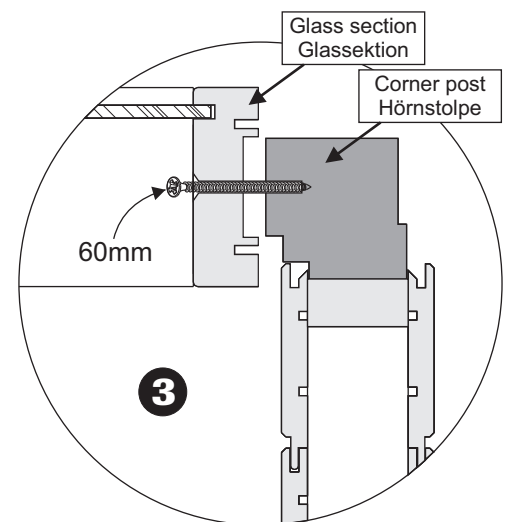
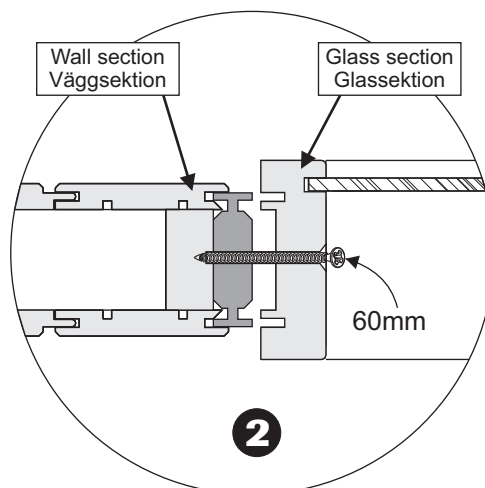
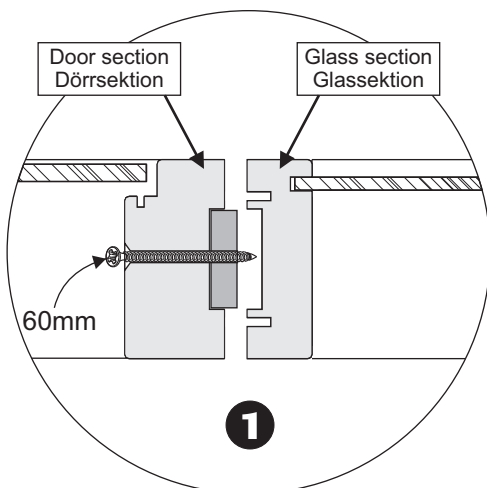
Glass wall mounted in sauna room

Glasparti monterad i basturum

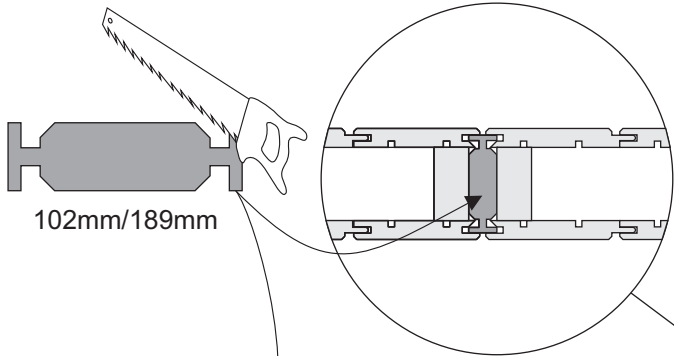
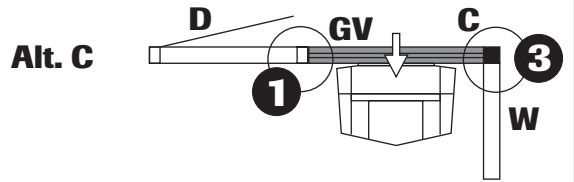


D=Dörrsektion
 W=Väggsektion
 GV=Glassektion ventilation
 C=Hörn stolpe

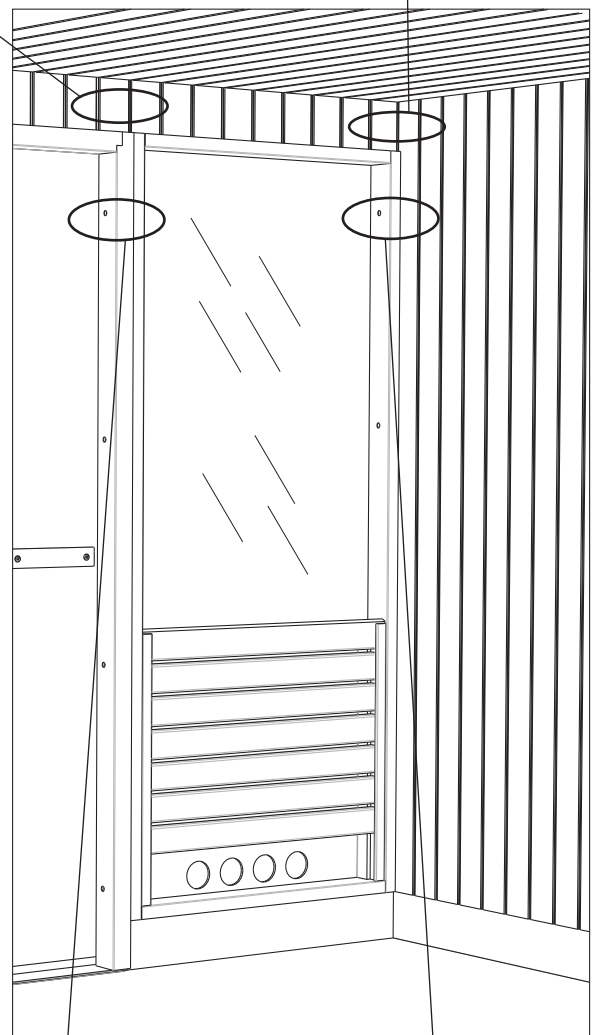
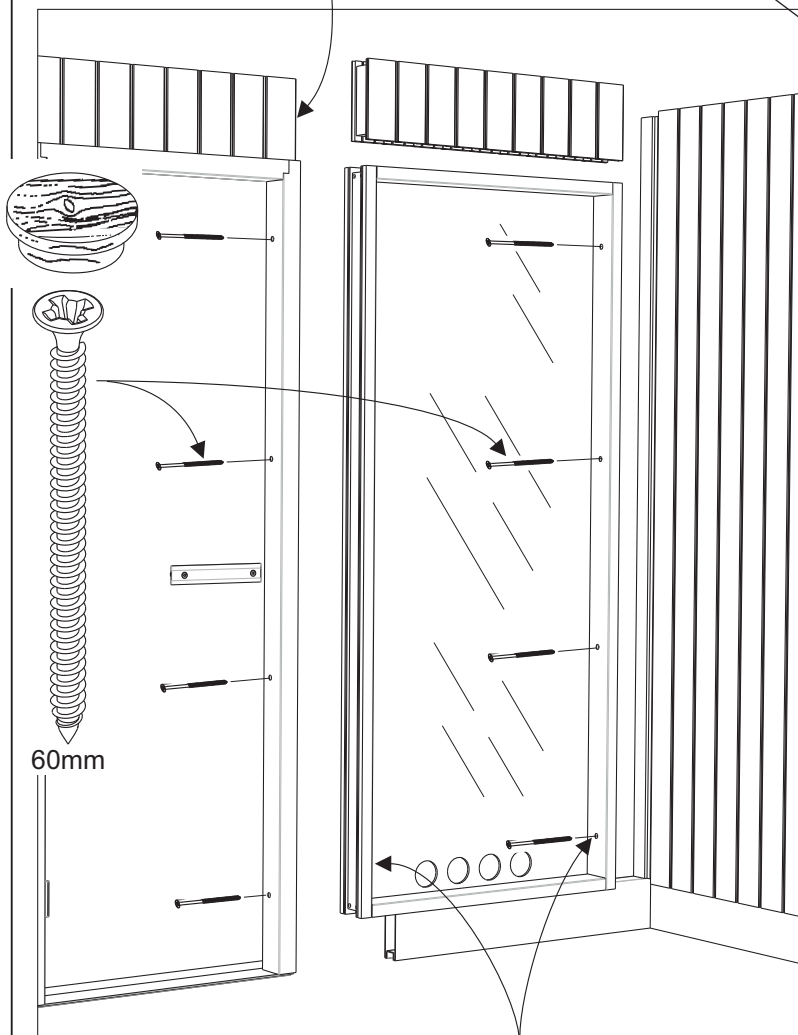
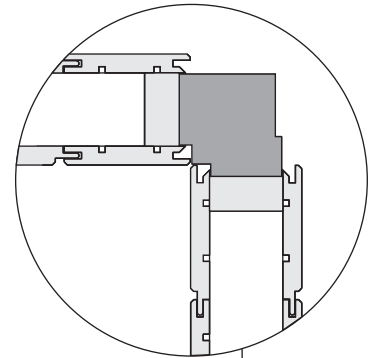
D=Door section
 W=Wall section
 GV=Glass section ventilation
 C=Corner post



Glass wall mounted in sauna room
Example alt. C
Glasparti monterad i basturum
Exempel alt. C

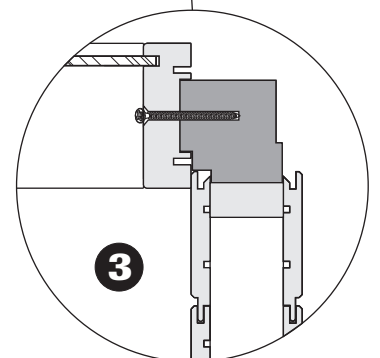
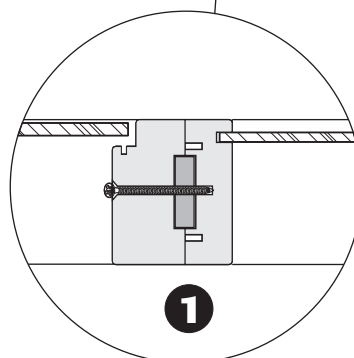


Assembly
instructions
Sauna
room

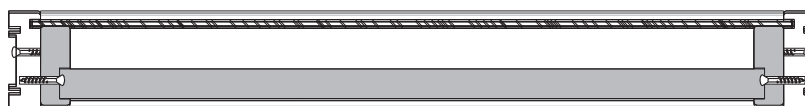
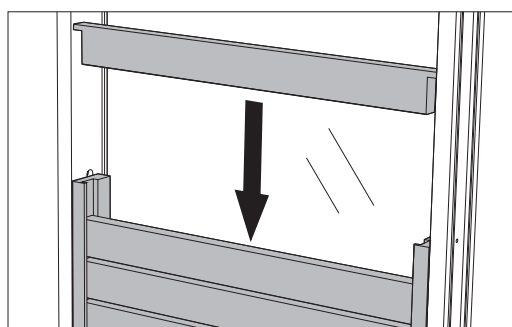
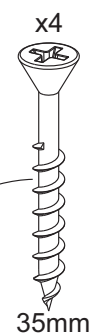
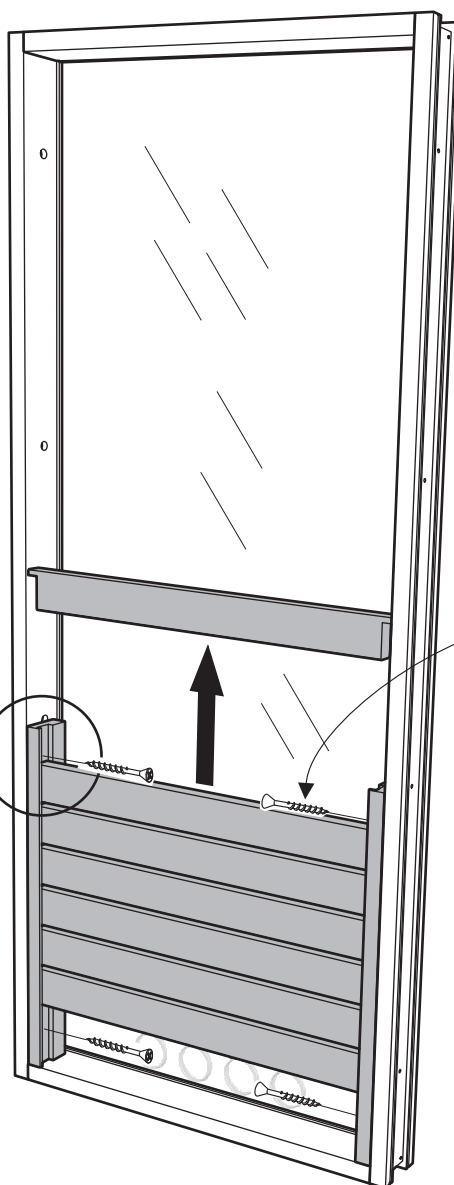
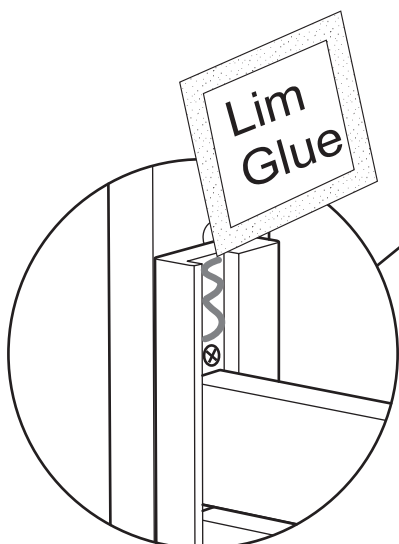
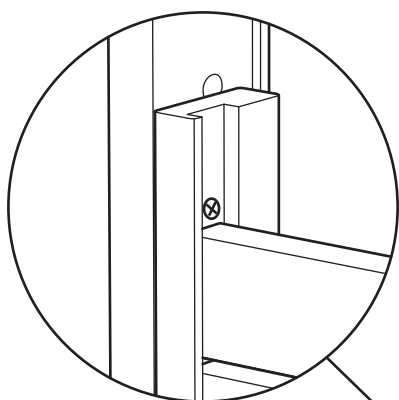


60mm

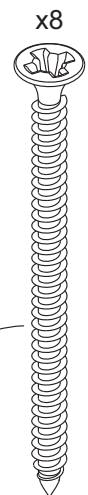
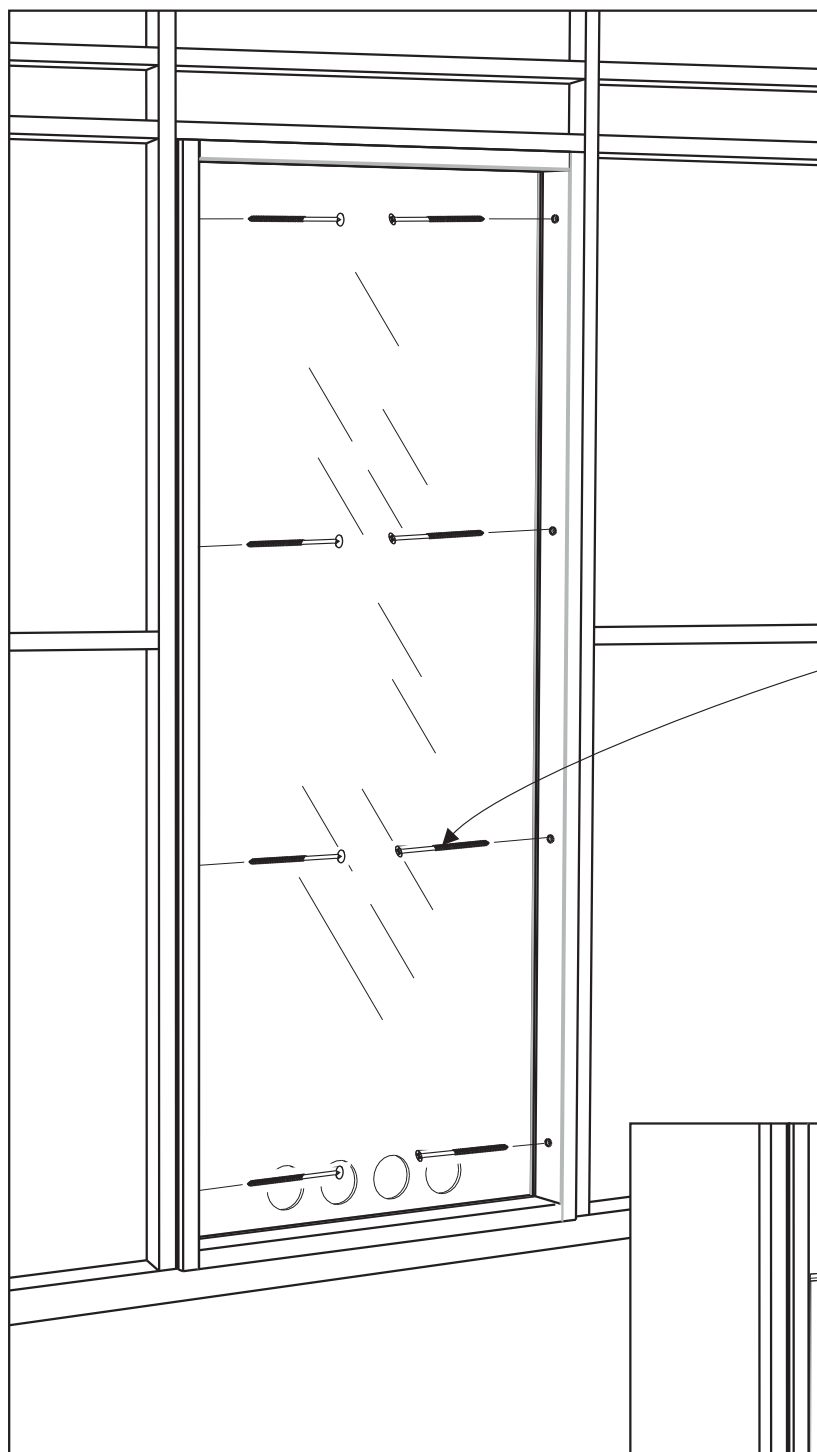
x8



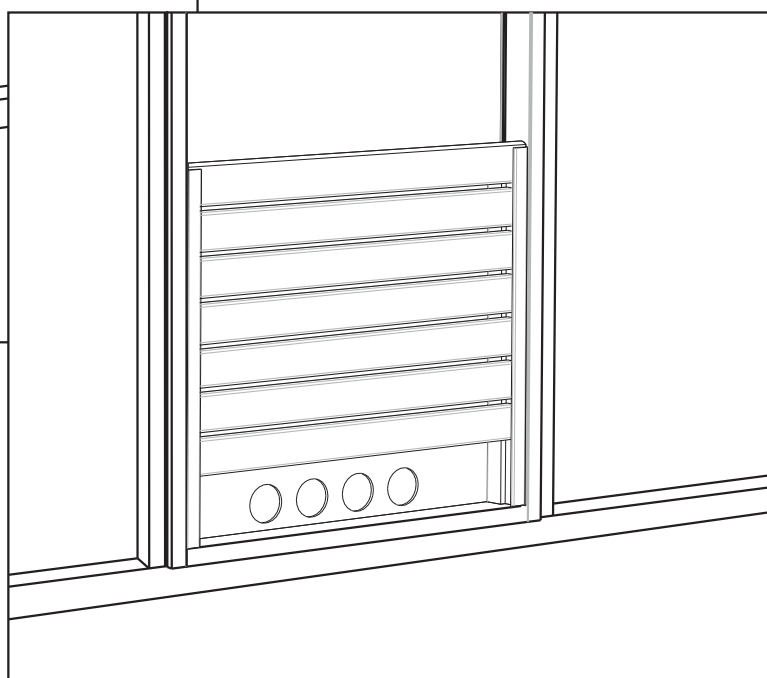
Assembly of heater plate Montering av aggregatplatta



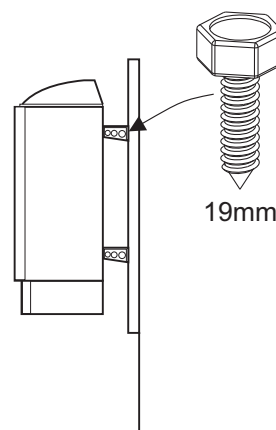
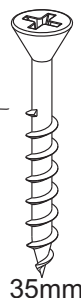
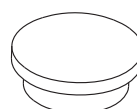
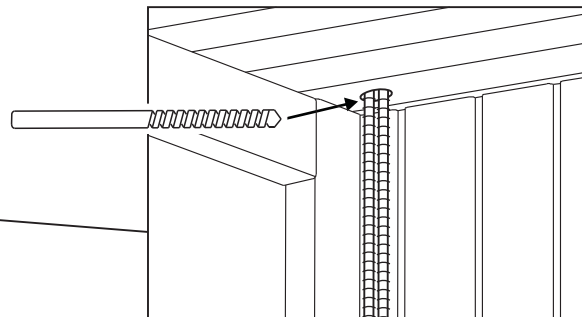
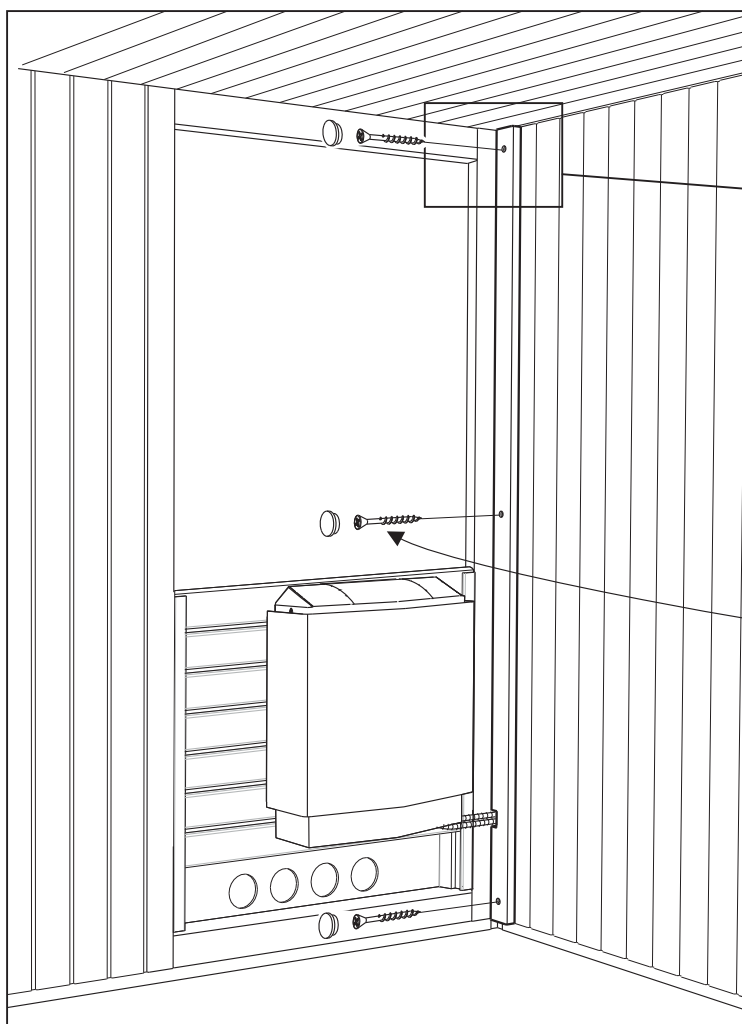
Assembly of glass wall Montering av glasparti



60mm



Assembly of cable bar Montering av kabellist



Värmebeständig kabel (170°C)
Heat resistant cable (170°C)
Hitzbeständiges Kabel (170°C)
Câble résistant aux températures élevées (170°C)

