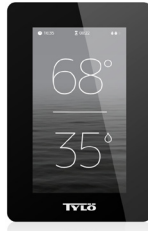
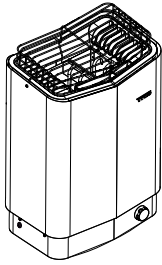


**CONNECTION/WIRING DIAGRAM**



TAB	208 V 1 Phase			240 V 1 Phase		
Model	Amperage Amps	Output kW	Wire Size AWG	Amperage Amps	Output kW	Wire Size AWG
Sense - U 5	-	-	-	21	5	10
Sense - U 6	-	-	-	25	6	10
Sense - U 7	26	5.3	10	30	7.0	8
Sense - U 8	30	6.3	8	35	8.3	8

**Note:** Heating elements do not change for voltage changes. The heater output will change based on the voltage applied to heater. Most North American homes are 240v.

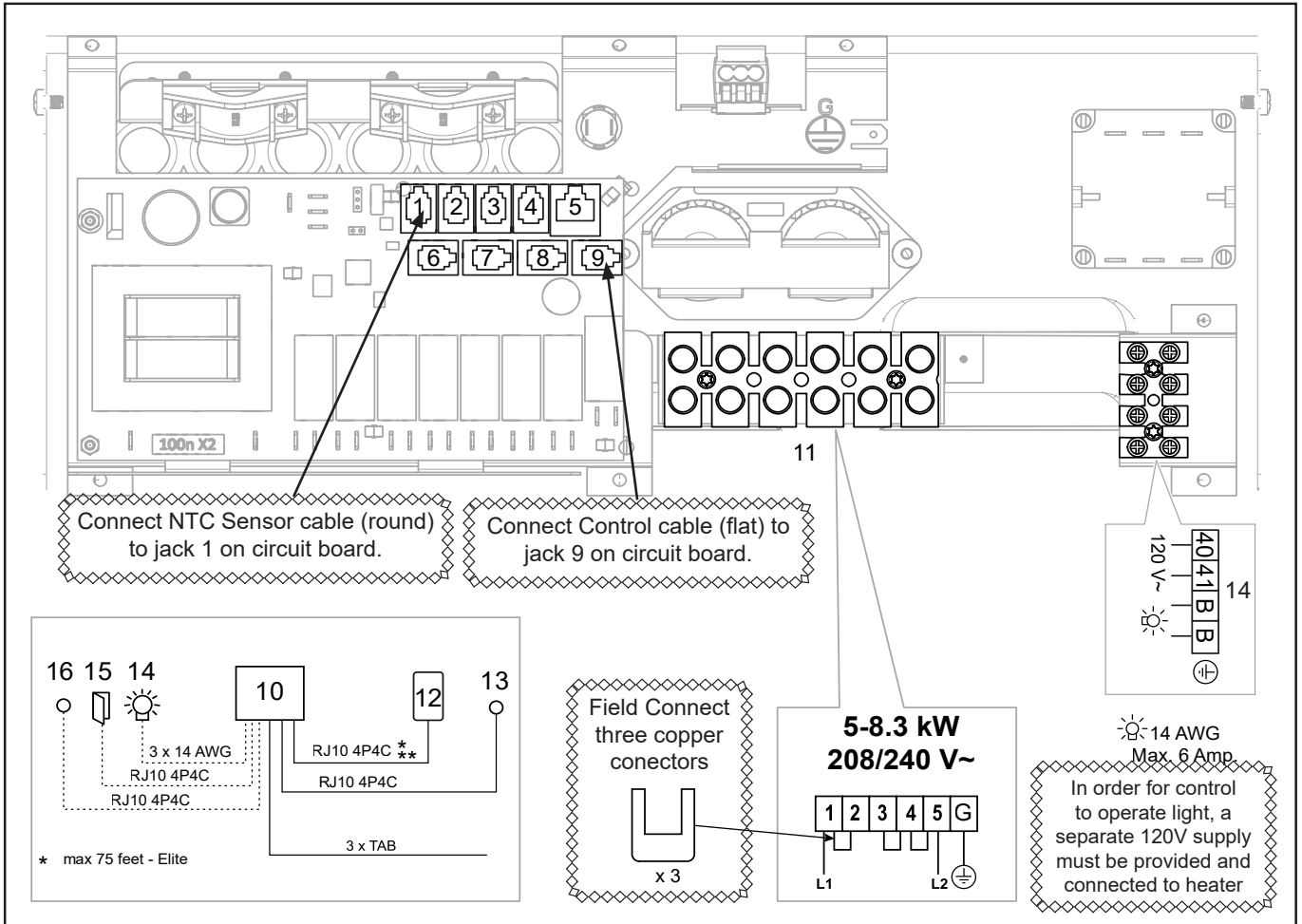


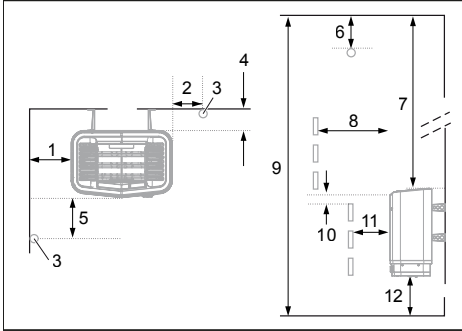
Figure 19: Wiring diagram

1. NTC Sensor - Sensor Elite. (jack # 1)
2. External Switch (Optional jack # 2)
3. Door jumper pre-installed (jack # 3)
4. N/A
5. N/A
6. N/A
7. N/A
8. N/A
9. Elite Control
10. Heater
11. Terminal for connection of electrical cable
12. Control panel (connect to position 9)
13. Sensor - Sensor Elite (jack # 1)
14. Light/terminal for connection of light
15. Door Switch is not required for N. America
16. External On/Off Switch (option)

### Sensor Installation Tip

1. (1) If using Sensor Cover, you are supposed to feed the sensor wire through the sensor holder **FIRST** before running wire inside the wall. If not done first, do one of the following:
2. (2) Sensor with metal tab is usually installed without cover with one screw through the sensor tab directly to the finished wall.
3. (3) Mount sensor holder close to sensor. Surface mount sensor as show in picture. Install cover to hide sensor wire and any hole made for wire.
4. (4) **DO NOT** install cover on top of sensor after installation. It can affect heat sensitivity and cause heater high limit to trip.

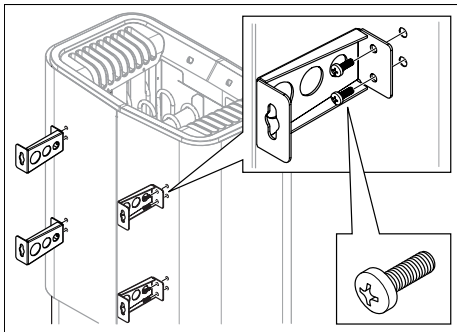
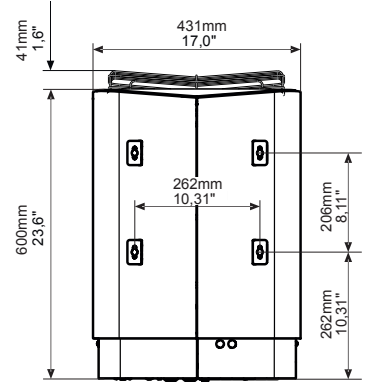
1. CAUTION: Heater junction box can be a tight fit. Make sure no bare wires come in to contact with circuit board, on/off switch or any other heater components. Extra care should be taken when closing junction box cover to ensure wires are not being pushed out of position.
2. Some prefer or are required to make a weather-proof connection. If so, you may use Liquid tight conduit for the wire exposed within the sauna. For more flexibility, you can install weather proof junction box inside sauna below heater and use flexible SOOW wire to connect to heater



1. Minimum distance from side wall: 3" (100 mm)
2. Sensor position alt 1: 3" (75 mm) from heater
3. Sensor
4. Minimum distance from back wall (with legs): 4" (100 mm)
5. Sensor position alt 2: 3" (75 mm) from heater front
6. Sensor position: 1" (25 mm) from ceiling
7. Minimum distance from ceiling: 44" (1100 mm)
8. Minimum distance from heater guard: 4" (100 mm)
9. Minimum ceiling height: 75" (1900 mm)
10. Minimum distance: 1" (25 mm)
11. Minimum distance from heater guard: 2" (50 mm)
12. Distance from floor: 7" (175 mm)

\*\* Elite Control distance to heater is max 75 feet

Figure 3: Position the sensor according to the picture.



Unscrew the first two screws on the back of the heater and screw one of the four brackets into place. Repeat the procedure until all of the brackets are fitted see Fig. 11.

Note: If all the screws on the back are unscrewed simultaneously, the back plate may come loose. For this reason, attach the four brackets to the heater one at a time.

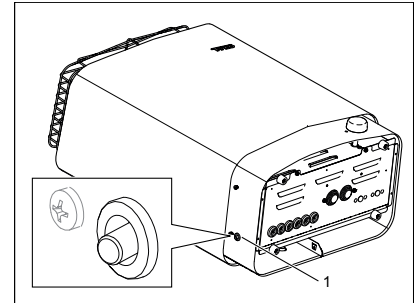


Figure 9: Resetting the temperature cut-out  
1. Temperature cut-out sauna heater

Figure 11: Attaching the brackets to the heater

**Elite Control Installation Instructions**

The control panel can be installed inside or outside the sauna room. If the control is installed inside the room, install no higher than 3' (90 cm) above the floor. No closer than 12" (30 cm) to heater.

**Installation Without Mounting Bracket**

Cut a 1-3/16" (3 cm) hole through the wall big enough for the control panel connector.

Attach the double-sided adhesive to the control panel. Before applying the control to the wall, connect it to the heater and electrically test everything first. Clean the surface where the control will be applied to remove all dust. Remove the protective backing from the adhesive. Silicone sealant can be applied in the groove on the back of the panel as an extra seal. Connect the control wire, push the excess wire through the hole in the wall and press the control panel firmly to the wall.

**Installation Bracket**

Use the mounting bracket as a template to mark screws holes on the wall. Tighten the screws a little until the bracket is nearly secured.

Remove the bracket from the wall. Use adhesive to mount the control to the bracket. Remember to position the switch according to the picture.

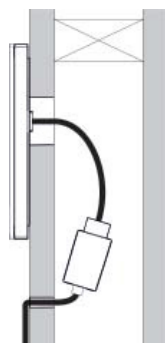


**Elite Control Location**

The control panel can be installed inside or outside of the sauna room.  
(Outside is Typical)

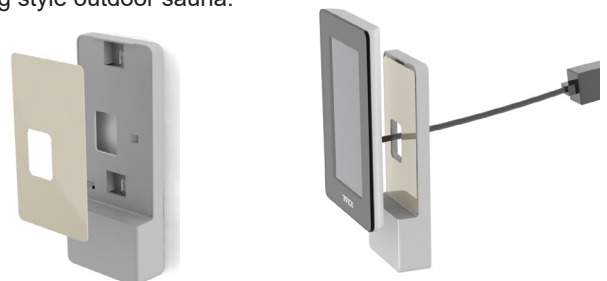
**Installation without Bracket**

Install without bracket  
Control stuck directly to the wall. Control cable in the stud cavity.



**Installation with Bracket**

Install with bracket  
Generally only used when control wire is surface mounted; i.e. soild log style outdoor sauna.



Date	Individual	Page	Description
2018-09-17	TF	AI	Created QSG
2022-06-17	LH	2	Min. distance from wall changed from 4 to 3
2023-10-17	GN	1	Added U5 and U6